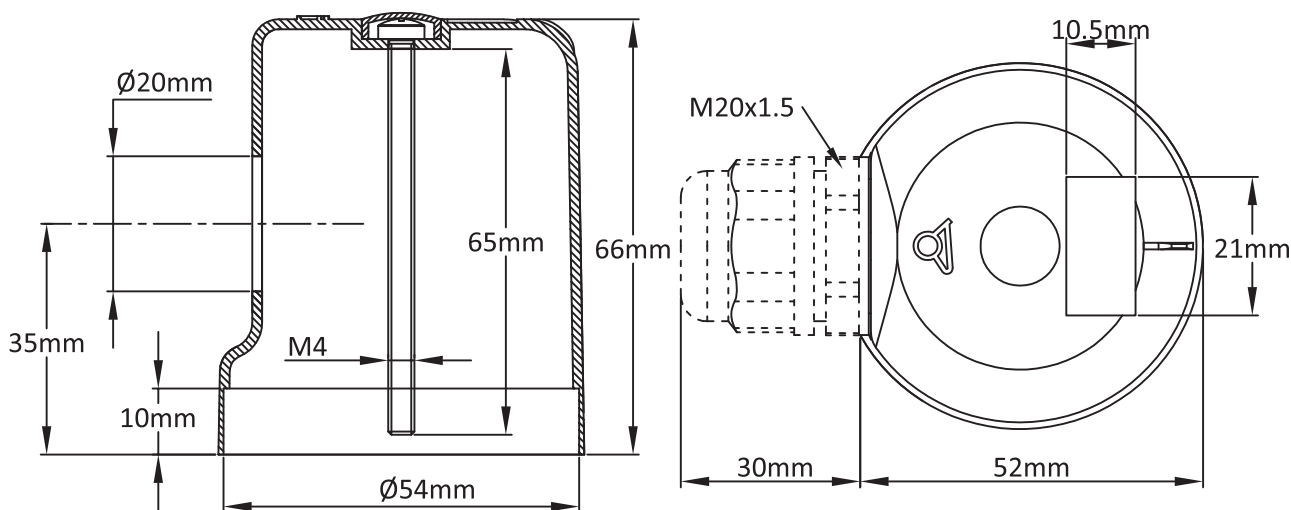


Simplified immersion heater enclosure for fittings with M4 central screw

| Size(mm) | Volume(cm ³) | Material | Protection grade | | Model |
|---------------------|--------------------------|-------------|------------------|------------|-------------|
| Dia. 54 x 66 | 160 | PA66 | IP69K | IK8 | Y302 |

Suitable for

- Temperature sensor
- Immersion heater
- Finned heater
- Thermostat
- Level sensor
- Electronic board



Main reference

Y30200011200000T

Links



Page
(.pdf)



Drawing 2D
(.dwg)



Drawing 3D
(.stp)

Presse-étoupe non inclus dans la référence ci-dessus. Avec presse-étoupe fourni et monté, remplacer xx par yy dans la référence.
Red dimensions inside rectangular frames on drawings are used for accessories assembly.