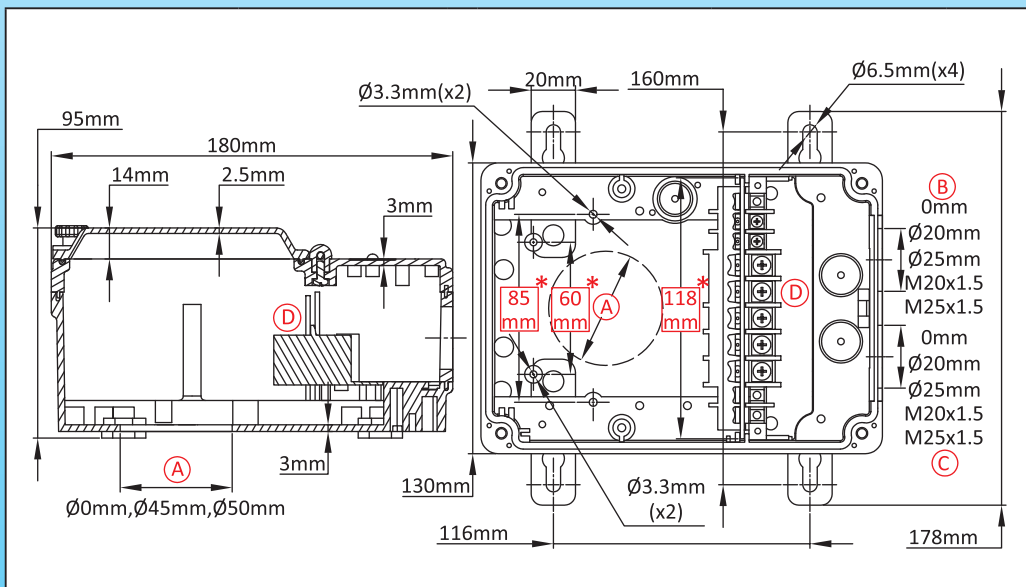
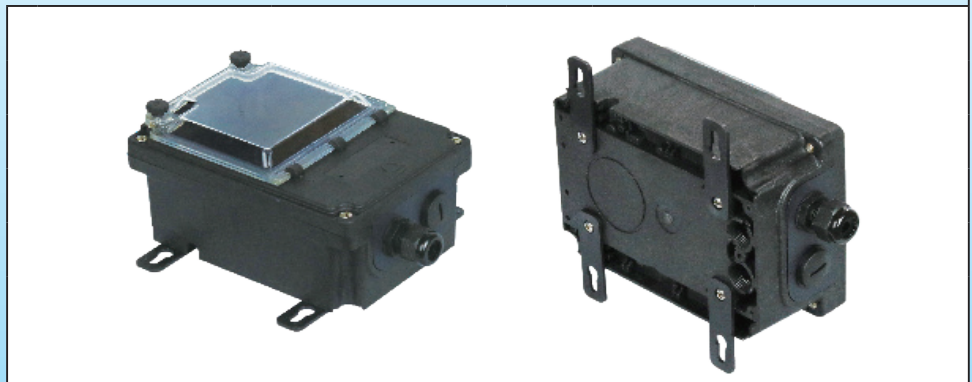


## Enclosure with window, for controls, connection, temperature sensor, thermostat, level sensor, GFI, removable wall mounting legs

Size(mm)	Volume(cm <sup>3</sup> )	Material	Protection grade		Model
<b>130 X 180 X 95</b>	<b>2010</b>	<b>PA66 + PC</b>	<b>IP69K</b>	<b>IK10</b>	<b>Y3N2</b>

Suitable for
<input type="checkbox"/> Temperature sensor
<input checked="" type="checkbox"/> Immersion heater
<input checked="" type="checkbox"/> Finned heater
<input checked="" type="checkbox"/> Thermostat
<input type="checkbox"/> Level sensor
<input checked="" type="checkbox"/> Electronic board



### Links

Page  
(.pdf)

Drawing 2D  
(.dwg)

Drawing 3D  
(.stp)

### Main references

Ⓐ(mm)	Ⓑ(mm)	Ⓒ(mm)	With connection block Ⓓ	Without connection block Ⓓ	Ⓐ(mm)	Ⓑ(mm)	Ⓒ(mm)	With connection block Ⓓ	Without connection block Ⓓ
0	0	0	Y3N2000000J100T	Y3N200000000000T	45	20	20	Y3N24500220J100T	Y3N245002200000T
0	0	20	Y3N20000120J100T	Y3N200001200000T	45	25	25	Y3N24500225J100T	Y3N245002250000T
0	0	25	Y3N20000125J100T	Y3N200001250000T	45	M20x1.5	M20x1.5	Y3N245002T0J100T	Y3N245002T00000T
0	0	M20x1.5	Y3N200001T0J100T	Y3N200001T00000T	45	M25x1.5	M25x1.5	Y3N245002T5J100T	Y3N245002T50000T
0	0	M25x1.5	Y3N200001T5J100T	Y3N200001T50000T	50	0	0	Y3N2500000J100T	Y3N250000000000T
0	20	20	Y3N20000220J100T	Y3N200002200000T	50	0	20	Y3N25000120J100T	Y3N250001200000T
0	25	25	Y3N20000225J100T	Y3N200002250000T	50	0	25	Y3N25000125J100T	Y3N250001250000T
0	M20x1.5	M20x1.5	Y3N200002T0J100T	Y3N200002T00000T	50	0	M20x1.5	Y3N250001T0J100T	Y3N250001T00000T
0	M25x1.5	M25x1.5	Y3N200002T5J100T	Y3N200002T50000T	50	0	M25x1.5	Y3N250001T5J100T	Y3N250001T50000T
45	0	0	Y3N24500000J100T	Y3N245000000000T	50	20	20	Y3N25000220J100T	Y3N250002200000T
45	0	20	Y3N24500120J100T	Y3N245001200000T	50	25	25	Y3N25000225J100T	Y3N250002250000T
45	0	25	Y3N24500125J100T	Y3N245001250000T	50	M20x1.5	M20x1.5	Y3N250002T0J100T	Y3N250002T00000T
45	0	M20x1.5	Y3N245001T0J100T	Y3N245001T00000T	50	M25x1.5	M25x1.5	Y3N250002T5J100T	Y3N250002T50000T
45	0	M25x1.5	Y3N245001T5J100T	Y3N245001T50000T					

Cable gland not included in these reference, consult us if you want them.

Red dimensions inside rectangular frames on drawings are used for accessories assembly.

Because of permanent improvement of our products, drawings, descriptions, features used on these data sheets are for guidance only and can be modified without prior advice