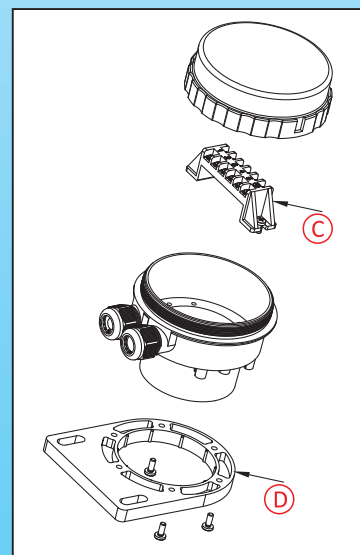
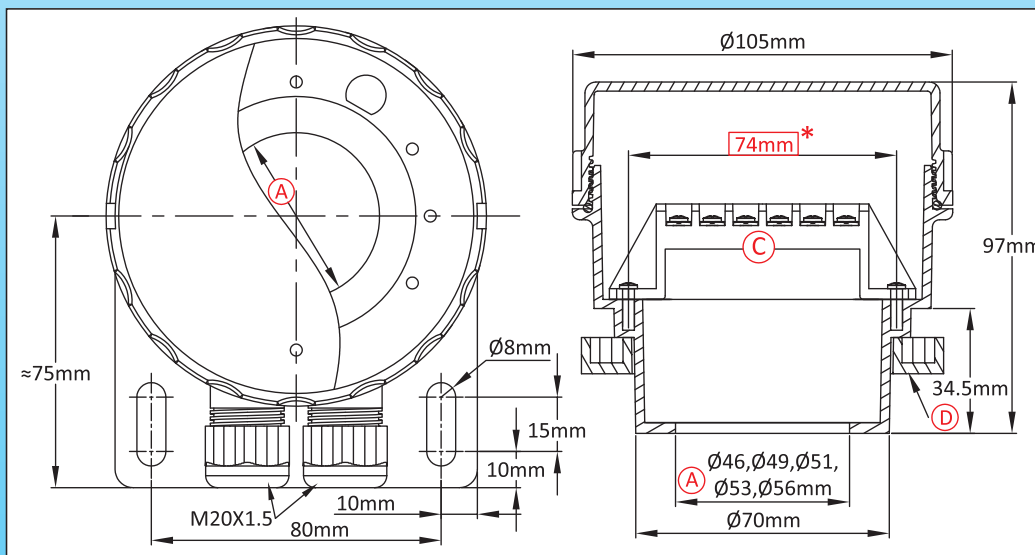
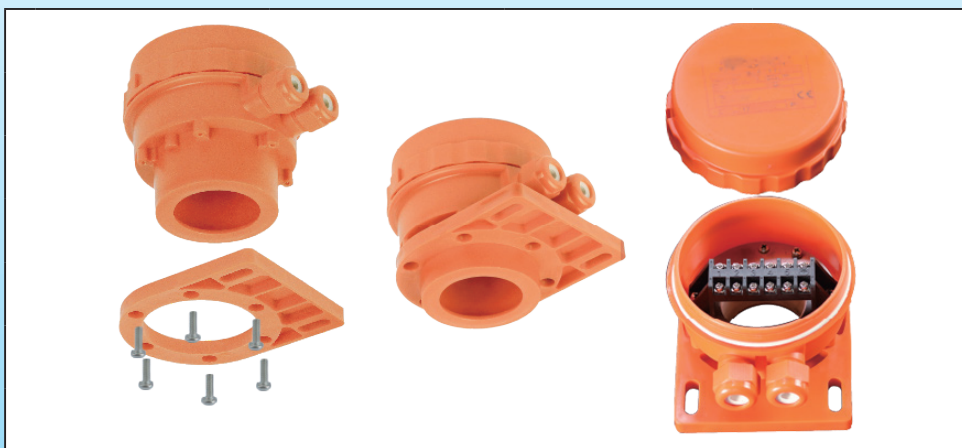


Polypropylene immersion heater enclosure for surface treatment baths and highly corrosive, environments

Size(mm)	Volume(cm ³)	Material	Protection grade		Model
Dia. 105 x 95	663	Polypropylène	IP69K	IK10	Y3C7

Suitable for

- Temperature sensor
- Immersion heater
- Finned heater
- Thermostat
- Level sensor
- Electronic board



Main references

Ⓐ (mm)	Ⓑ	With connection block Ⓒ	Without connection block Ⓒ
46	✓	Y3C7460022BH40TU	Y3C7460022B000TU
46	✗	Y3C7460022BH400U	Y3C7460022B0000U
49	✓	Y3C7490022BH40TU	Y3C7490022B000TU
49	✗	Y3C7490022BH400U	Y3C7490022B0000U
51	✓	Y3C7510022BH40TU	Y3C7510022B000TU
51	✗	Y3C7510022BH400U	Y3C7510022B0000U
53	✓	Y3C7530022BH40TU	Y3C7530022B000TU
53	✗	Y3C7530022BH400U	Y3C7530022B0000U
56	✓	Y3C7560022BH40TU	Y3C7560022B000TU
56	✗	Y3C7560022BH400U	Y3C7560022B0000U

Links



Page
(.pdf)



Drawing 2D
(.dwg)



Drawing 3D
(.stp)

Cable gland not included in these reference, consult us if you want them.

Red dimensions inside rectangular frames on drawings are used for accessories assembly.