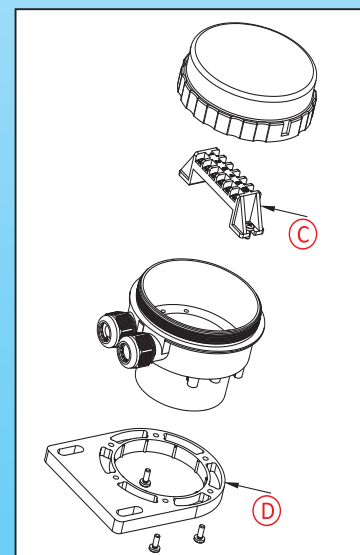
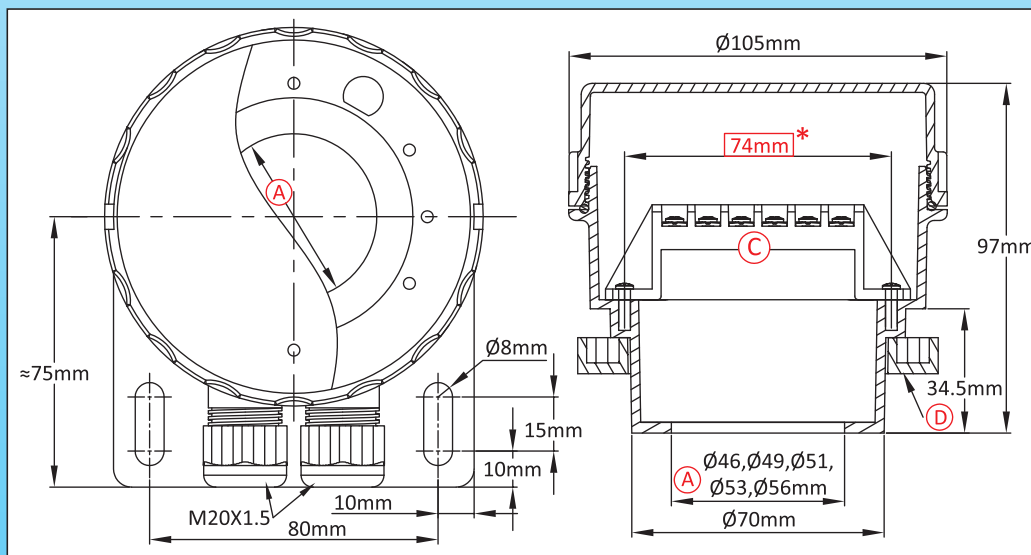


PVDF immersion heater enclosure for surface treatment baths and highly corrosive environments

Size(mm)	Volume(cm ³)	Material	Protection grade		Model
Dia. 105 x 95	663	PVDF	IP69K	IK10	Y3E7

Suitable for
<input type="checkbox"/> Temperature sensor
<input checked="" type="checkbox"/> Immersion heater
<input type="checkbox"/> Finned heater
<input checked="" type="checkbox"/> Thermostat
<input type="checkbox"/> Level sensor
<input type="checkbox"/> Electronic board



Main references

Ⓐ (mm)	Ⓑ	With connection block Ⓒ	Without connection block Ⓒ
46	✓	Y3E7460022BH40TT	Y3E7460022B000TT
46	✗	Y3E7460022BH400T	Y3E7460022B0000T
49	✓	Y3E7490022BH40TT	Y3E7490022B000TT
49	✗	Y3E7490022BH400T	Y3E7490022B0000T
51	✓	Y3E7510022BH40TT	Y3E7510022B000TT
51	✗	Y3E7510022BH400T	Y3E7510022B0000T
53	✓	Y3E7530022BH40TT	Y3E7530022B000TT
53	✗	Y3E7530022BH400T	Y3E7530022B0000T
56	✓	Y3E7560022BH40TT	Y3E7560022B000TT
56	✗	Y3E7560022BH400T	Y3E7560022B0000T

Links

Page
(.pdf)

Drawing 2D
(.dwg)

Drawing 3D
(.stp)

Cable gland not included in these reference, consult us if you want them.

Red dimensions inside rectangular frames on drawings are used for accessories assembly.