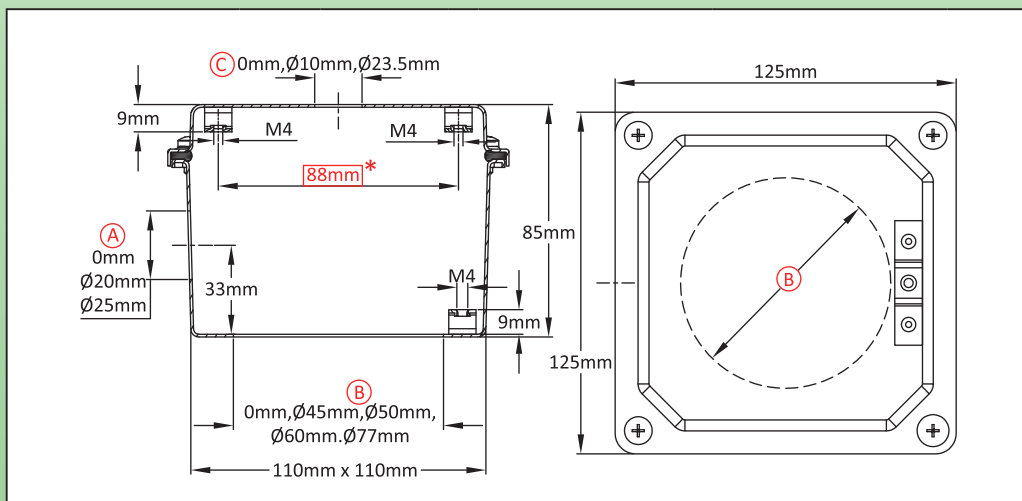


Immersion heater or temperature sensor, flat cover

Size(mm)	Volume(cm ³)	Material	Protection grade		Model
125 × 125 × 85	970	stainless steel	IP69K	IK7	Y3SA

Suitable for
<input type="checkbox"/> Temperature sensor
<input checked="" type="checkbox"/> Immersion heater
<input checked="" type="checkbox"/> Finned heater
<input checked="" type="checkbox"/> Thermostat
<input type="checkbox"/> Level sensor
<input checked="" type="checkbox"/> Electronic board



Links

Page
(.pdf)

Drawing 2D
(.dwg)

Drawing 3D
(.stp)

Main references

(A) (mm)	(B) (mm)	(C) (mm)	304	316	(A) (mm)	(B) (mm)	(C) (mm)	304	316	(A) (mm)	(B) (mm)	(C) (mm)	304	316
0	0	0	Y3SA0000000G1008	Y3SA0000000G1009	20	0	0	Y3SA0000120G1008	Y3SA0000120G1009	25	0	0	Y3SA0000125G1008	Y3SA0000125G1009
0	0	10	Y3SA000A000G1008	Y3SA000A000G1009	20	0	10	Y3SA000A120G1008	Y3SA000A120G1009	25	0	10	Y3SA000A125G1008	Y3SA000A125G1009
0	0	23.5	Y3SA000D000G1008	Y3SA000D000G1009	20	0	23.5	Y3SA000D120G1008	Y3SA000D120G1009	25	0	23.5	Y3SA000D125G1008	Y3SA000D125G1009
0	45	0	Y3SA4500000G1008	Y3SA4500000G1009	20	45	0	Y3SA4500120G1008	Y3SA4500120G1009	25	45	0	Y3SA4500125G1008	Y3SA4500125G1009
0	45	10	Y3SA450A000G1008	Y3SA450A000G1009	20	45	10	Y3SA450A120G1008	Y3SA450A120G1009	25	45	10	Y3SA450A125G1008	Y3SA450A125G1009
0	45	23.5	Y3SA450D000G1008	Y3SA450D000G1009	20	45	23.5	Y3SA450D120G1008	Y3SA450D120G1009	25	45	23.5	Y3SA450D125G1008	Y3SA450D125G1009
0	50	0	Y3SA5000000G1008	Y3SA5000000G1009	20	50	0	Y3SA5000120G1008	Y3SA5000120G1009	25	50	0	Y3SA5000125G1008	Y3SA5000125G1009
0	50	10	Y3SA500A000G1008	Y3SA500A000G1009	20	50	10	Y3SA500A120G1008	Y3SA500A120G1009	25	50	10	Y3SA500A125G1008	Y3SA500A125G1009
0	50	23.5	Y3SA500D000G1008	Y3SA500D000G1009	20	50	23.5	Y3SA500D120G1008	Y3SA500D120G1009	25	50	23.5	Y3SA500D125G1008	Y3SA500D125G1009
0	60	0	Y3SA6000000G1008	Y3SA6000000G1009	20	60	0	Y3SA6000120G1008	Y3SA6000120G1009	25	60	0	Y3SA6000125G1008	Y3SA6000125G1009
0	60	10	Y3SA600A000G1008	Y3SA600A000G1009	20	60	10	Y3SA600A120G1008	Y3SA600A120G1009	25	60	10	Y3SA600A125G1008	Y3SA600A125G1009
0	60	23.5	Y3SA600D000G1008	Y3SA600D000G1009	20	60	23.5	Y3SA600D120G1008	Y3SA600D120G1009	25	60	23.5	Y3SA600D125G1008	Y3SA600D125G1009
0	77	0	Y3SA7700000G1008	Y3SA7700000G1009	20	77	0	Y3SA7700120G1008	Y3SA7700120G1009	25	77	0	Y3SA7700125G1008	Y3SA7700125G1009
0	77	10	Y3SA770A000G1008	Y3SA770A000G1009	20	77	10	Y3SA770A120G1008	Y3SA770A120G1009	25	77	10	Y3SA770A125G1008	Y3SA770A125G1009
0	77	23.5	Y3SA770D000G1008	Y3SA770D000G1009	20	77	23.5	Y3SA770D120G1008	Y3SA770D120G1009	25	77	23.5	Y3SA770D125G1008	Y3SA770D125G1009

Cable gland not included in these reference, consult us if you want them.

Red dimensions inside rectangular frames are used for accessories assembly.

Because of permanent improvement of our products, drawings, descriptions, features used on these data sheets are for guidance only and can be modified without prior advice