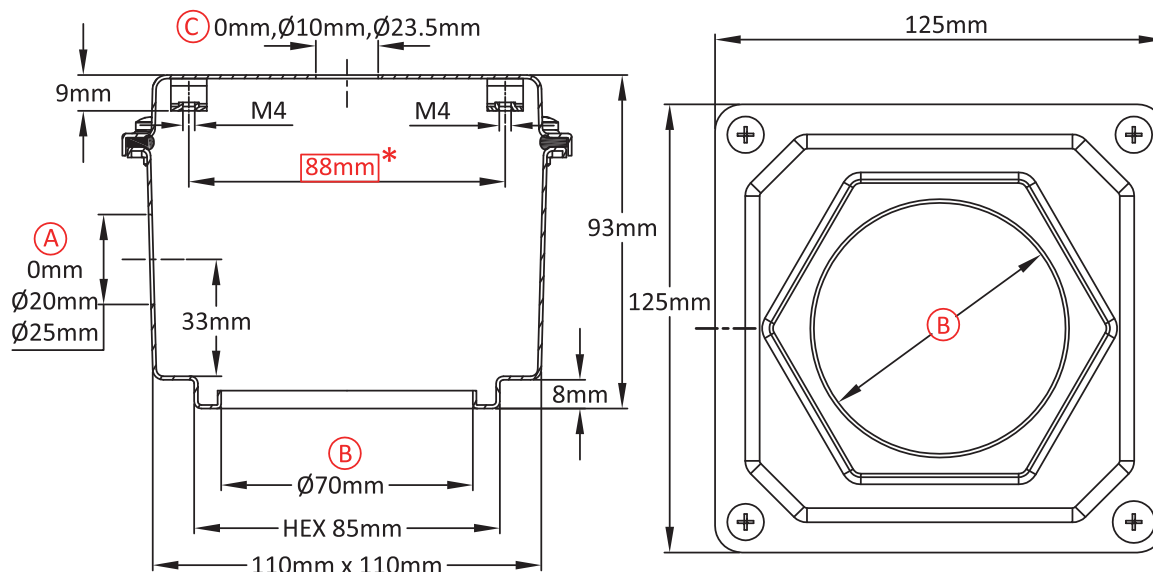


Big immersion heater enclosure, with flat cover and stamped hexagon, for big immersion heaters

Size(mm)	Volume(cm ³)	Material	Protection grade		Model
125 × 125 × 85	1000	stainless steel	IP69K	IK7	Y3SC

Suitable for

- Temperature sensor
- Immersion heater
- Finned heater
- Thermostat
- Level sensor
- Electronic board



Main references

(A)(mm)	(B)(mm)	(C)(mm)	304	316
0	70	0	Y3SC7000000G1008	Y3SC7000000G1009
0	70	10	Y3SC700A000G1008	Y3SC700A000G1009
0	70	23.5	Y3SC700D000G1008	Y3SC700D000G1009
20	70	0	Y3SC7000120G1008	Y3SC7000120G1009
20	70	10	Y3SC700A120G1008	Y3SC700A120G1009
20	70	23.5	Y3SC700D120G1008	Y3SC700D120G1009
25	70	0	Y3SC7000125G1008	Y3SC7000125G1009
25	70	10	Y3SC700A125G1008	Y3SC700A125G1009
25	70	23.5	Y3SC700D125G1008	Y3SC700D125G1009

Links

	Page (.pdf)
	Drawing 2D (.dwg)
	Drawing 3D (.stp)

Cable gland not included in these reference, consult us if you want them.

Red dimensions inside rectangular frames are used for accessories assembly.