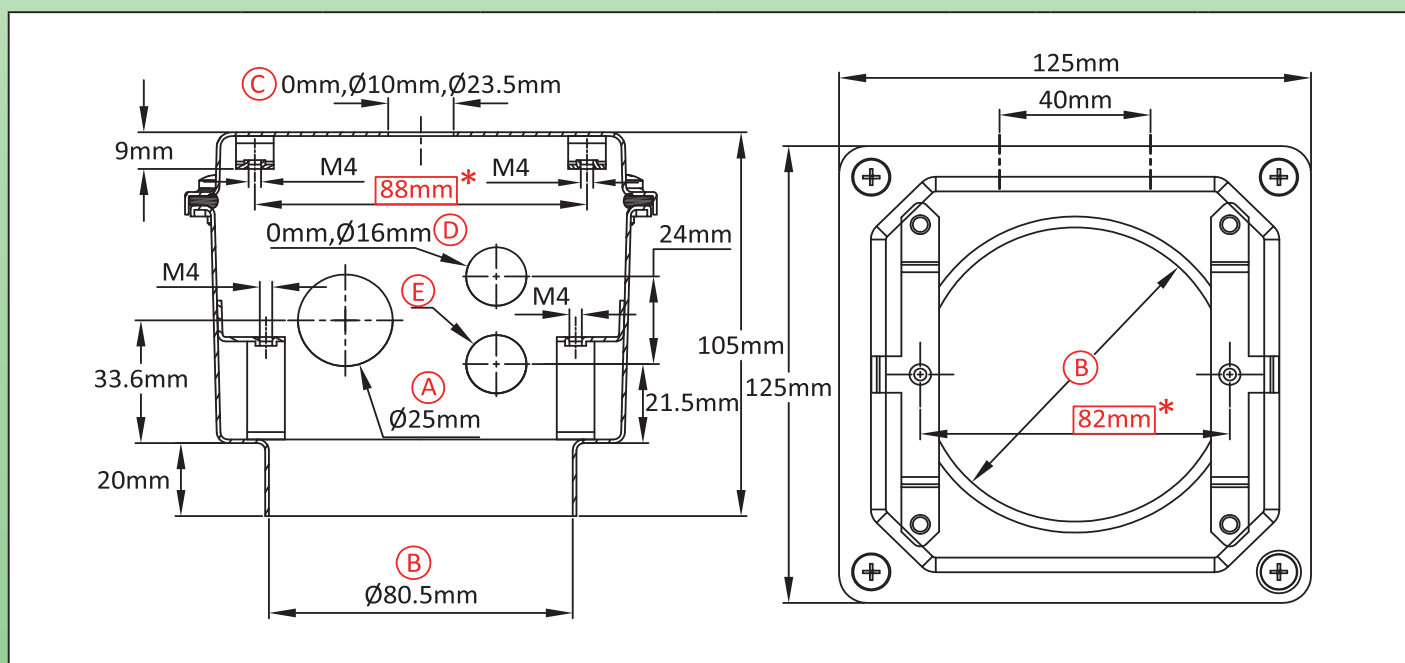


# Big enclosure, for immersion heaters or instruments, with flat cover, for welding on tubes

Size(mm)	Volume(cm <sup>3</sup> )	Material	Protection grade		Model
125 × 125 × 105	1138	stainless steel	IP69K	IK7	<b>Y3TB</b>

Suitable for
<input type="checkbox"/> Temperature sensor
<input checked="" type="checkbox"/> Immersion heater
<input type="checkbox"/> Finned heater
<input checked="" type="checkbox"/> Thermostat
<input type="checkbox"/> Level sensor
<input checked="" type="checkbox"/> Electronic board



## Main references

(A)(mm)	(B)(mm)	(C)(mm)	(D)(mm)	(E)(mm)	304	316
25	80.5	0	16	16	Y3TB80503S3G1008	Y3TB80503S3G1009
25	80.5	10	16	16	Y3TB805A3S3G1008	Y3TB805A3S3G1009
25	80.5	23.5	16	16	Y3TB805D3S3G1008	Y3TB805D3S3G1009
25	80.5	0	0	16	Y3TB80502C5G1008	Y3TB80502C5G1009
25	80.5	10	0	16	Y3TB805A2C5G1008	Y3TB805A2C5G1009
25	80.5	23.5	0	16	Y3TB805D2C5G1008	Y3TB805D2C5G1009
25	80.5	0	0	0	Y3TB8050125G1008	Y3TB8050125G1009
25	80.5	10	0	0	Y3TB805A125G1008	Y3TB805A125G1009
25	80.5	23.5	0	0	Y3TB805D125G1008	Y3TB805D125G1009

## Links

	Page (.pdf)
	Drawing 2D (.dwg)
	Drawing 3D (.stp)

Cable gland not included in these reference, consult us if you want them.

Red dimensions inside rectangular frames are used for accessories assembly.