

# Grand boîtier de thermoplongeur avec extension. En PA66

Taille(mm)	Volume(cm <sup>3</sup> )	Matière	Degrés de protection		Modèle
<b>130 X 130 X 190</b>	<b>2836</b>	<b>PA66</b>	<b>IP69K</b>	<b>IK10</b>	<b>Y3M1</b> <b>(P1)</b>

## Utilisable pour

- Capteur de température
- Thermoplongeur
- Résistance à ailettes
- Thermostat
- Détecteur de niveau
- Carte électronique



## Liens



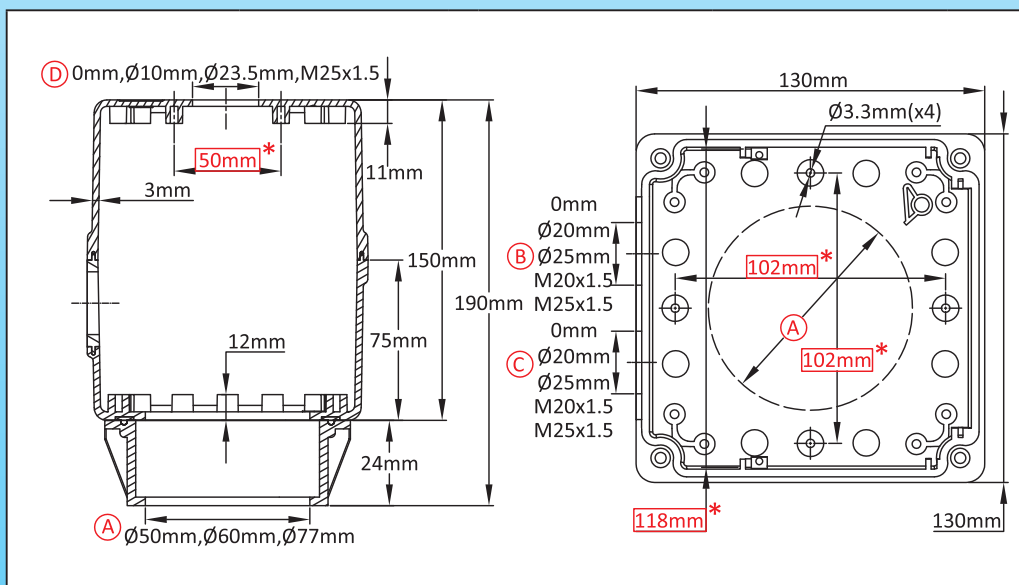
Page  
(.pdf)



Plan 2D  
(.dwg)



Plan 3D  
(.stp)



## Références principales

A(mm)	B(mm)	C(mm)	D(mm)	Références	A(mm)	B(mm)	C(mm)	D(mm)	Références
50	0	0	0	Y3M150000000000T	50	20	20	10	Y3M1500A2200000T
50	0	0	10	Y3M1500A0000000T	50	20	20	23.5	Y3M1500D2200000T
50	0	0	23.5	Y3M1500D0000000T	50	20	20	M25x1.5	Y3M1500F2200000T
50	0	0	M25x1.5	Y3M1500F0000000T	50	25	25	0	Y3M150002250000T
50	0	20	0	Y3M150001200000T	50	25	25	10	Y3M1500A2250000T
50	0	20	10	Y3M1500A1200000T	50	25	25	23.5	Y3M1500D2250000T
50	0	20	23.5	Y3M1500D1200000T	50	25	25	M25x1.5	Y3M1500F2250000T
50	0	20	M25x1.5	Y3M1500F1200000T	50	M20x1.5	M20x1.5	0	Y3M150002T00000T
50	0	25	0	Y3M150001250000T	50	M20x1.5	M20x1.5	10	Y3M1500A2T00000T
50	0	25	10	Y3M1500A1250000T	50	M20x1.5	M20x1.5	23.5	Y3M1500D2T00000T
50	0	25	23.5	Y3M1500D1250000T	50	M20x1.5	M20x1.5	M25x1.5	Y3M1500F2T00000T
50	0	25	M25x1.5	Y3M1500F1250000T	50	M25x1.5	M25x1.5	0	Y3M150002T50000T
50	0	M20x1.5	0	Y3M150001T00000T	50	M25x1.5	M25x1.5	10	Y3M1500A2T50000T
50	0	M20x1.5	10	Y3M1500A1T00000T	50	M25x1.5	M25x1.5	23.5	Y3M1500D2T50000T
50	0	M20x1.5	23.5	Y3M1500D1T00000T	50	M25x1.5	M25x1.5	M25x1.5	Y3M1500F2T50000T
50	0	M20x1.5	M25x1.5	Y3M1500F1T00000T	60	0	0	0	Y3M160000000000T
50	0	M25x1.5	0	Y3M150001T50000T	60	0	0	10	Y3M1600A0000000T
50	0	M25x1.5	10	Y3M1500A1T50000T	60	0	0	23.5	Y3M1600D0000000T
50	0	M25x1.5	23.5	Y3M1500D1T50000T	60	0	0	M25x1.5	Y3M1600F0000000T
50	0	M25x1.5	M25x1.5	Y3M1500F1T50000T	60	0	20	0	Y3M160001200000T
50	20	20	0	Y3M150002200000T	60	0	20	10	Y3M1600A1200000T

Presse étoupe non inclus dans les références ci-dessus. Nous consulter si vous les souhaitez.

Les dimensions encadrées en rouge sont celles prévues pour le montage des accessoires.

# Grand boîtier de thermoplongeur avec extension. En PA66

**Y3M1**  
**(P2)**

En raison de l'évolution technique constante de nos produits, les plans, dessins, photos et caractéristiques repris dans les pages techniques sont communiqués sans engagement et peuvent être modifiés sans préavis

A (mm)	B (mm)	C (mm)	D (mm)	Références	A (mm)	B (mm)	C (mm)	D (mm)	Références
60	0	20	23.5	Y3M1600D1200000T	77	0	0	M25×1.5	Y3M1770F0000000T
60	0	20	M25×1.5	Y3M1600F1200000T	77	0	20	0	Y3M177001200000T
60	0	25	0	Y3M160001250000T	77	0	20	10	Y3M1770A1200000T
60	0	25	10	Y3M1600A1250000T	77	0	20	23.5	Y3M1770D1200000T
60	0	25	23.5	Y3M1600D1250000T	77	0	20	M25×1.5	Y3M1770F1200000T
60	0	25	M25×1.5	Y3M1600F1250000T	77	0	25	0	Y3M177001250000T
60	0	M20×1.5	0	Y3M160001T00000T	77	0	25	10	Y3M1770A1250000T
60	0	M20×1.5	10	Y3M1600A1T00000T	77	0	25	23.5	Y3M1770D1250000T
60	0	M20×1.5	23.5	Y3M1600D1T00000T	77	0	25	M25×1.5	Y3M1770F1250000T
60	0	M20×1.5	M25×1.5	Y3M1600F1T00000T	77	0	M20×1.5	0	Y3M177001T00000T
60	0	M25×1.5	0	Y3M160001T50000T	77	0	M20×1.5	10	Y3M1770A1T00000T
60	0	M25×1.5	10	Y3M1600A1T50000T	77	0	M20×1.5	23.5	Y3M1770D1T00000T
60	0	M25×1.5	23.5	Y3M1600D1T50000T	77	0	M20×1.5	M25×1.5	Y3M1770F1T00000T
60	0	M25×1.5	M25×1.5	Y3M1600F1T50000T	77	0	M25×1.5	0	Y3M177001T50000T
60	20	20	0	Y3M160002200000T	77	0	M25×1.5	10	Y3M1770A1T50000T
60	20	20	10	Y3M1600A2200000T	77	0	M25×1.5	23.5	Y3M1770D1T50000T
60	20	20	23.5	Y3M1600D2200000T	77	0	M25×1.5	M25×1.5	Y3M1770F1T50000T
60	20	20	M25×1.5	Y3M1600F2200000T	77	20	20	0	Y3M177002200000T
60	25	25	0	Y3M160002250000T	77	20	20	10	Y3M1770A2200000T
60	25	25	10	Y3M1600A2250000T	77	20	20	23.5	Y3M1770D2200000T
60	25	25	23.5	Y3M1600D2250000T	77	20	20	M25×1.5	Y3M1770F2200000T
60	25	25	M25×1.5	Y3M1600F2250000T	77	25	25	0	Y3M177002250000T
60	M20×1.5	M20×1.5	0	Y3M160002T00000T	77	25	25	10	Y3M1770A2250000T
60	M20×1.5	M20×1.5	10	Y3M1600A2T00000T	77	25	25	23.5	Y3M1770D2250000T
60	M20×1.5	M20×1.5	23.5	Y3M1600D2T00000T	77	25	25	M25×1.5	Y3M1770F2250000T
60	M20×1.5	M20×1.5	M25×1.5	Y3M1600F2T00000T	77	M20×1.5	M20×1.5	0	Y3M177002T00000T
60	M25×1.5	M25×1.5	0	Y3M160002T50000T	77	M20×1.5	M20×1.5	10	Y3M1770A2T00000T
60	M25×1.5	M25×1.5	10	Y3M1600A2T50000T	77	M20×1.5	M20×1.5	23.5	Y3M1770D2T00000T
60	M25×1.5	M25×1.5	23.5	Y3M1600D2T50000T	77	M20×1.5	M20×1.5	M25×1.5	Y3M1770F2T00000T
60	M25×1.5	M25×1.5	M25×1.5	Y3M1600F2T50000T	77	M25×1.5	M25×1.5	0	Y3M177002T50000T
77	0	0	0	Y3M1770000000000T	77	M25×1.5	M25×1.5	10	Y3M1770A2T50000T
77	0	0	10	Y3M1770A00000000T	77	M25×1.5	M25×1.5	23.5	Y3M1770D2T50000T
77	0	0	23.5	Y3M1770D00000000T	77	M25×1.5	M25×1.5	M25×1.5	Y3M1770F2T50000T