

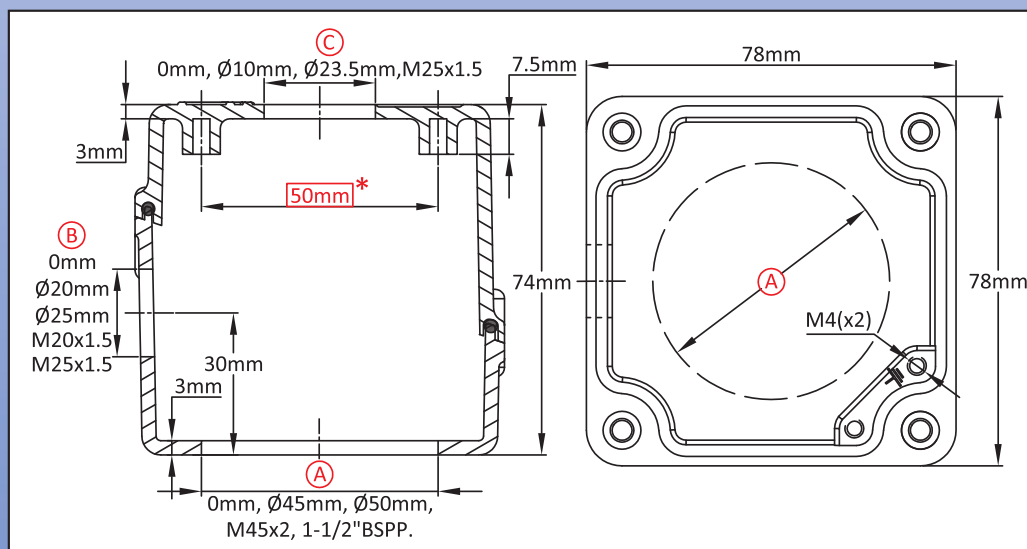
Boîtier aluminium pour thermoplongeur, détecteur de niveau ou capteur de température

En raison de l'évolution technique constante de nos produits, les plans, dessins, photos et caractéristiques repris dans les pages techniques sont communiqués sans engagement et peuvent être modifiés sans préavis

| Taille(mm) | Volume(cm ³) | Matière | Degrés de protection | | Modèle |
|---------------------|--------------------------|------------------|----------------------|-------------|----------------------------|
| 78 x 78 x 74 | 410 | Aluminium | IP69K | IK10 | Y304 (P1) |

Utilisable pour

- Capteur de température
- Thermoplongeur
- Résistance à ailettes
- Thermostat
- Détecteur de niveau
- Carte électronique



Liens



Page
(.pdf)



Plan 2D
(.dwg)



Plan 3D
(.stp)

Références principales

| (A) (mm) | (B) (mm) | (C) (mm) | Brut | Peint | (A) (mm) | (B) (mm) | (C) (mm) | Brut | Peint |
|-------------|-------------|-------------|------------------|------------------|-------------|-------------|-------------|------------------|------------------|
| 0 | 0 | 0 | Y304000000000007 | Y30400000000000G | 0 | M20x1.5 | 0 | Y30400001T000007 | Y30400001T00000G |
| 0 | 0 | 10 | Y304000A00000007 | Y304000A0000000G | 0 | M20x1.5 | 10 | Y304000A1T000007 | Y304000A1T00000G |
| 0 | 0 | 23.5 | Y304000D00000007 | Y304000D0000000G | 0 | M20x1.5 | 23.5 | Y304000D1T000007 | Y304000D1T00000G |
| 0 | 0 | M25x1.5 | Y304000F00000007 | Y304000F0000000G | 0 | M20x1.5 | M25x1.5 | Y304000F1T000007 | Y304000F1T00000G |
| 0 | 20 | 0 | Y304000012000007 | Y30400001200000G | 0 | M25x1.5 | 0 | Y30400001T500007 | Y30400001T50000G |
| 0 | 20 | 10 | Y304000A12000007 | Y304000A1200000G | 0 | M25x1.5 | 10 | Y304000A1T500007 | Y304000A1T50000G |
| 0 | 20 | 23.5 | Y304000D12000007 | Y304000D1200000G | 0 | M25x1.5 | 23.5 | Y304000D1T500007 | Y304000D1T50000G |
| 0 | 20 | M25x1.5 | Y304000F12000007 | Y304000F1200000G | 0 | M25x1.5 | M25x1.5 | Y304000F1T500007 | Y304000F1T50000G |
| 0 | 25 | 0 | Y304000012500007 | Y30400001250000G | 45 | 0 | 0 | Y304450000000007 | Y30445000000000G |
| 0 | 25 | 10 | Y304000A12500007 | Y304000A1250000G | 45 | 0 | 10 | Y304450A00000007 | Y304450A0000000G |
| 0 | 25 | 23.5 | Y304000D12500007 | Y304000D1250000G | 45 | 0 | 23.5 | Y304450D00000007 | Y304450D0000000G |
| 0 | 25 | M25x1.5 | Y304000F12500007 | Y304000F1250000G | 45 | 0 | M25x1.5 | Y304450F00000007 | Y304450F0000000G |

Presse étoupe non inclus dans les références ci-dessus. Nous consulter si vous les souhaitez.

Les dimensions encadrées en rouge sont celles prévues pour le montage des accessoires.

Boîtier aluminium pour thermoplongeur, détecteur de niveau ou capteur de température

**Y304
(P2)**

| (A) (mm) | (B) (mm) | (C) (mm) | Brut | Peint | (A) (mm) | (B) (mm) | (C) (mm) | Brut | Peint |
|-------------|-------------|-------------|-------------------|-------------------|-------------|-------------|-------------|-------------------|-------------------|
| 45 | 20 | 0 | Y304450012000007 | Y30445001200000G | M45x2 | 0 | 23.5 | Y304M45D000000007 | Y304M45D00000000G |
| 45 | 20 | 10 | Y304450A12000007 | Y304450A1200000G | M45x2 | 0 | M25x1.5 | Y304M45F000000007 | Y304M45F00000000G |
| 45 | 20 | 23.5 | Y304450D12000007 | Y304450D1200000G | M45x2 | 20 | 0 | Y304M45012000007 | Y304M4501200000G |
| 45 | 20 | M25x1.5 | Y304450F12000007 | Y304450F1200000G | M45x2 | 20 | 10 | Y304M45A12000007 | Y304M45A1200000G |
| 45 | 25 | 0 | Y304450012500007 | Y30445001250000G | M45x2 | 20 | 23.5 | Y304M45D12000007 | Y304M45D1200000G |
| 45 | 25 | 10 | Y304450A12500007 | Y304450A1250000G | M45x2 | 20 | M25x1.5 | Y304M45F12000007 | Y304M45F1200000G |
| 45 | 25 | 23.5 | Y304450D12500007 | Y304450D1250000G | M45x2 | 25 | 0 | Y304M45012500007 | Y304M4501250000G |
| 45 | 25 | M25x1.5 | Y304450F12500007 | Y304450F1250000G | M45x2 | 25 | 10 | Y304M45A12500007 | Y304M45A1250000G |
| 45 | M20x1.5 | 0 | Y30445001T000007 | Y30445001T00000G | M45x2 | 25 | 23.5 | Y304M45D12500007 | Y304M45D1250000G |
| 45 | M20x1.5 | 10 | Y304450A1T000007 | Y304450A1T00000G | M45x2 | 25 | M25x1.5 | Y304M45F12500007 | Y304M45F1250000G |
| 45 | M20x1.5 | 23.5 | Y304450D1T000007 | Y304450D1T00000G | M45x2 | M20x1.5 | 0 | Y304M4501T000007 | Y304M4501T00000G |
| 45 | M20x1.5 | M25x1.5 | Y304450F1T000007 | Y304450F1T00000G | M45x2 | M20x1.5 | 10 | Y304M45A1T000007 | Y304M45A1T00000G |
| 45 | M25x1.5 | 0 | Y30445001T500007 | Y30445001T50000G | M45x2 | M20x1.5 | 23.5 | Y304M45D1T000007 | Y304M45D1T00000G |
| 45 | M25x1.5 | 10 | Y304450A1T500007 | Y304450A1T50000G | M45x2 | M20x1.5 | M25x1.5 | Y304M45F1T000007 | Y304M45F1T00000G |
| 45 | M25x1.5 | 23.5 | Y304450D1T500007 | Y304450D1T50000G | M45x2 | M25x1.5 | 0 | Y304M4501T500007 | Y304M4501T50000G |
| 45 | M25x1.5 | M25x1.5 | Y304450F1T500007 | Y304450F1T50000G | M45x2 | M25x1.5 | 10 | Y304M45A1T500007 | Y304M45A1T50000G |
| 50 | 0 | 0 | Y304500000000007 | Y30450000000000G | M45x2 | M25x1.5 | 23.5 | Y304M45D1T500007 | Y304M45D1T50000G |
| 50 | 0 | 10 | Y304500A000000007 | Y304500A00000000G | M45x2 | M25x1.5 | M25x1.5 | Y304M45F1T500007 | Y304M45F1T50000G |
| 50 | 0 | 23.5 | Y304500D000000007 | Y304500D00000000G | 1½" BSPP | 0 | 0 | Y304BA20000000007 | Y304BA2000000000G |
| 50 | 0 | M25x1.5 | Y304500F000000007 | Y304500F00000000G | 1½" BSPP | 0 | 10 | Y304BA2A000000007 | Y304BA2A00000000G |
| 50 | 20 | 0 | Y304500012000007 | Y30450001200000G | 1½" BSPP | 0 | 23.5 | Y304BA2D000000007 | Y304BA2D00000000G |
| 50 | 20 | 10 | Y304500A12000007 | Y304500A1200000G | 1½" BSPP | 0 | M25x1.5 | Y304BA2F000000007 | Y304BA2F00000000G |
| 50 | 20 | 23.5 | Y304500D12000007 | Y304500D1200000G | 1½" BSPP | 20 | 0 | Y304BA2012000007 | Y304BA201200000G |
| 50 | 20 | M25x1.5 | Y304500F12000007 | Y304500F1200000G | 1½" BSPP | 20 | 10 | Y304BA2A12000007 | Y304BA2A1200000G |
| 50 | 25 | 0 | Y304500012500007 | Y30450001250000G | 1½" BSPP | 20 | 23.5 | Y304BA2D12000007 | Y304BA2D1200000G |
| 50 | 25 | 10 | Y304500A12500007 | Y304500A1250000G | 1½" BSPP | 20 | M25x1.5 | Y304BA2F12000007 | Y304BA2F1200000G |
| 50 | 25 | 23.5 | Y304500D12500007 | Y304500D1250000G | 1½" BSPP | 25 | 0 | Y304BA2012500007 | Y304BA201250000G |
| 50 | 25 | M25x1.5 | Y304500F12500007 | Y304500F1250000G | 1½" BSPP | 25 | 10 | Y304BA2A12500007 | Y304BA2A1250000G |
| 50 | M20x1.5 | 0 | Y30450001T000007 | Y30450001T00000G | 1½" BSPP | 25 | 23.5 | Y304BA2D12500007 | Y304BA2D1250000G |
| 50 | M20x1.5 | 10 | Y304500A1T000007 | Y304500A1T00000G | 1½" BSPP | 25 | M25x1.5 | Y304BA2F12500007 | Y304BA2F1250000G |
| 50 | M20x1.5 | 23.5 | Y304500D1T000007 | Y304500D1T00000G | 1½" BSPP | M20x1.5 | 0 | Y304BA201T000007 | Y304BA201T00000G |
| 50 | M20x1.5 | M25x1.5 | Y304500F1T000007 | Y304500F1T00000G | 1½" BSPP | M20x1.5 | 10 | Y304BA2A1T000007 | Y304BA2A1T00000G |
| 50 | M25x1.5 | 0 | Y30450001T500007 | Y30450001T50000G | 1½" BSPP | M20x1.5 | 23.5 | Y304BA2D1T000007 | Y304BA2D1T00000G |
| 50 | M25x1.5 | 10 | Y304500A1T500007 | Y304500A1T50000G | 1½" BSPP | M20x1.5 | M25x1.5 | Y304BA2F1T000007 | Y304BA2F1T00000G |
| 50 | M25x1.5 | 23.5 | Y304500D1T500007 | Y304500D1T50000G | 1½" BSPP | M25x1.5 | 0 | Y304BA201T500007 | Y304BA201T50000G |
| 50 | M25x1.5 | M25x1.5 | Y304500F1T500007 | Y304500F1T50000G | 1½" BSPP | M25x1.5 | 10 | Y304BA2A1T500007 | Y304BA2A1T50000G |
| M45x2 | 0 | 0 | Y304M450000000007 | Y304M45000000000G | 1½" BSPP | M25x1.5 | 23.5 | Y304BA2D1T500007 | Y304BA2D1T50000G |
| M45x2 | 0 | 10 | Y304M45A000000007 | Y304M45A00000000G | 1½" BSPP | M25x1.5 | M25x1.5 | Y304BA2F1T500007 | Y304BA2F1T50000G |

En raison de l'évolution technique constante de nos produits, les plans, dessins, et caractéristiques repris dans les pages techniques sont communiqués sans engagement et peuvent être modifiés sans préavis