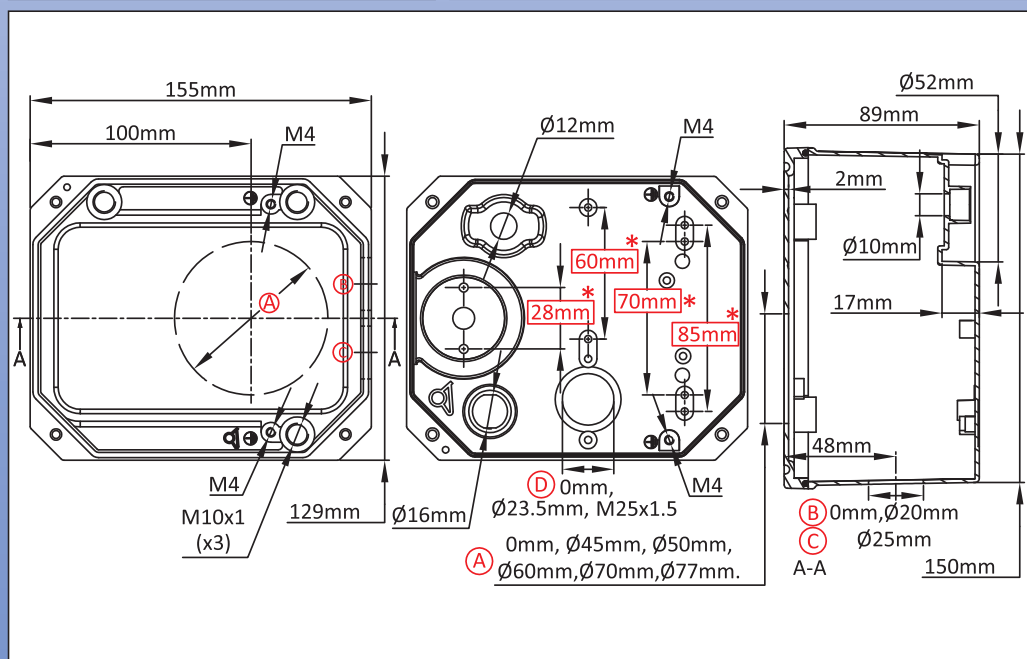
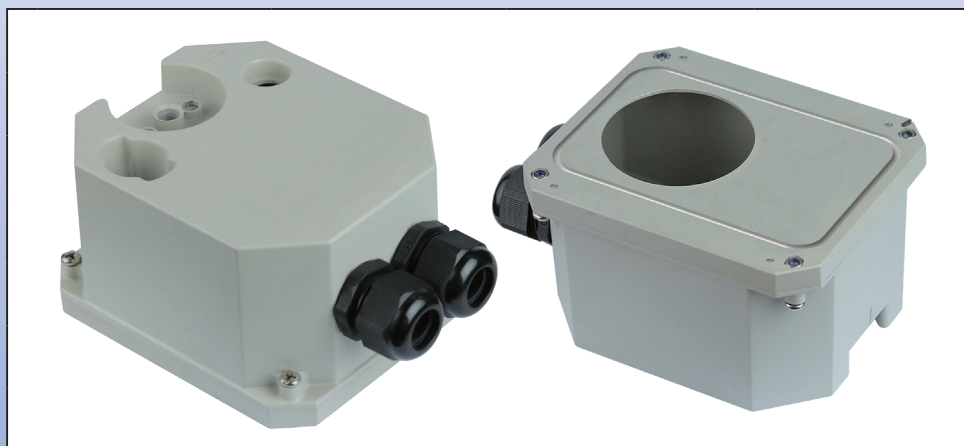


Boîtier aluminium grande taille pour thermoplongeur ou éléments blindés à ailettes, avec réglage par manette externe

Taille(mm)	Volume(cm ³)	Matière	Degrés de protection		Modèle
89 x 124 x 155	1600	Aluminium	IP69K	IK10	Y3P6 (P1)

Utilisable pour

- Capteur de température
- Thermoplongeur
- Résistance à ailettes
- Thermostat
- Détecteur de niveau
- Carte électronique



Liens



Page
(.pdf)



Plan 2D
(.dwg)



Plan 3D
(.stp)

Références principales

(A) (mm)	(B) (mm)	(C) (mm)	(D) (mm)	Brut	Peint	(A) (mm)	(B) (mm)	(C) (mm)	(D) (mm)	Brut	Peint
0	0	0	0	Y3P6000000000007	Y3P6000000000000G	0	25	0	0	Y3P6000012500007	Y3P600001250000G
0	0	0	23.5	Y3P6000D00000007	Y3P6000D0000000G	0	25	0	23.5	Y3P6000D12500007	Y3P6000D1250000G
0	0	0	M25x1.5	Y3P6000F00000007	Y3P6000F0000000G	0	25	0	M25x1.5	Y3P6000F12500007	Y3P6000F1250000G
0	20	0	0	Y3P6000012000007	Y3P600001200000G	0	25	25	0	Y3P6000022500007	Y3P600002250000G
0	20	0	23.5	Y3P6000D12000007	Y3P6000D1200000G	0	25	25	23.5	Y3P6000D22500007	Y3P6000D2250000G
0	20	0	M25x1.5	Y3P6000F12000007	Y3P6000F1200000G	0	25	25	M25x1.5	Y3P6000F22500007	Y3P6000F2250000G
0	20	20	0	Y3P6000022000007	Y3P600002200000G	45	0	0	0	Y3P6450000000007	Y3P645000000000G
0	20	20	23.5	Y3P6000D22000007	Y3P6000D2200000G	45	0	0	23.5	Y3P6450D00000007	Y3P6450D0000000G
0	20	20	M25x1.5	Y3P6000F22000007	Y3P6000F2200000G	45	0	0	M25x1.5	Y3P6450F00000007	Y3P6450F0000000G

Presse étoupe non inclus dans les références ci-dessus. Nous consulter si vous les souhaitez.

Les dimensions encadrées en rouge sont celles prévues pour le montage des accessoires.

Boîtier aluminium grande taille pour thermoplongeur ou éléments blindés à ailettes, avec réglage par manette externe

**Y3P6
(P2)**

En raison de l'évolution technique constante de nos produits, les plans, dessins, photos et caractéristiques repris dans les pages techniques sont communiqués sans engagement et peuvent être modifiés sans préavis

(A) (mm)	(B) (mm)	(C) (mm)	(D) (mm)	Brut	Peint	(A) (mm)	(B) (mm)	(C) (mm)	(D) (mm)	Brut	Peint
45	20	0	0	Y3P6450012000007	Y3P645001200000G	60	25	0	0	Y3P6600012500007	Y3P660001250000G
45	20	0	23.5	Y3P6450D12000007	Y3P6450D1200000G	60	25	0	23.5	Y3P6600D12500007	Y3P6600D1250000G
45	20	0	M25x1.5	Y3P6450F12000007	Y3P6450F1200000G	60	25	0	M25x1.5	Y3P6600F12500007	Y3P6600F1250000G
45	20	20	0	Y3P6450022000007	Y3P645002200000G	60	25	25	0	Y3P6600022500007	Y3P660002250000G
45	20	20	23.5	Y3P6450D22000007	Y3P6450D2200000G	60	25	25	23.5	Y3P6600D22500007	Y3P6600D2250000G
45	20	20	M25x1.5	Y3P6450F22000007	Y3P6450F2200000G	60	25	25	M25x1.5	Y3P6600F22500007	Y3P6600F2250000G
45	25	0	0	Y3P6450012500007	Y3P645001250000G	70	0	0	0	Y3P6700000000007	Y3P670000000000G
45	25	0	23.5	Y3P6450D12500007	Y3P6450D1250000G	70	0	0	23.5	Y3P6700D00000007	Y3P6700D0000000G
45	25	0	M25x1.5	Y3P6450F12500007	Y3P6450F1250000G	70	0	0	M25x1.5	Y3P6700F00000007	Y3P6700F0000000G
45	25	25	0	Y3P6450022500007	Y3P645002250000G	70	20	0	0	Y3P6700012000007	Y3P670001200000G
45	25	25	23.5	Y3P6450D22500007	Y3P6450D2250000G	70	20	0	23.5	Y3P6700D12000007	Y3P6700D1200000G
45	25	25	M25x1.5	Y3P6450F22500007	Y3P6450F2250000G	70	20	0	M25x1.5	Y3P6700F12000007	Y3P6700F1200000G
50	0	0	0	Y3P6500000000007	Y3P650000000000G	70	20	20	0	Y3P6700022000007	Y3P670002200000G
50	0	0	23.5	Y3P6500D00000007	Y3P6500D0000000G	70	20	20	23.5	Y3P6700D22000007	Y3P6700D2200000G
50	0	0	M25x1.5	Y3P6500F00000007	Y3P6500F0000000G	70	20	20	M25x1.5	Y3P6700F22000007	Y3P6700F2200000G
50	20	0	0	Y3P6500012000007	Y3P650001200000G	70	25	0	0	Y3P6700012500007	Y3P670001250000G
50	20	0	23.5	Y3P6500D12000007	Y3P6500D1200000G	70	25	0	23.5	Y3P6700D12500007	Y3P6700D1250000G
50	20	0	M25x1.5	Y3P6500F12000007	Y3P6500F1200000G	70	25	0	M25x1.5	Y3P6700F12500007	Y3P6700F1250000G
50	20	20	0	Y3P6500022000007	Y3P650002200000G	70	25	25	0	Y3P6700022500007	Y3P670002250000G
50	20	20	23.5	Y3P6500D22000007	Y3P6500D2200000G	70	25	25	23.5	Y3P6700D22500007	Y3P6700D2250000G
50	20	20	M25x1.5	Y3P6500F22000007	Y3P6500F2200000G	70	25	25	M25x1.5	Y3P6700F22500007	Y3P6700F2250000G
50	25	0	0	Y3P6500012500007	Y3P650001250000G	77	0	0	0	Y3P6770000000007	Y3P677000000000G
50	25	0	23.5	Y3P6500D12500007	Y3P6500D1250000G	77	0	0	23.5	Y3P6770D00000007	Y3P6770D0000000G
50	25	0	M25x1.5	Y3P6500F12500007	Y3P6500F1250000G	77	0	0	M25x1.5	Y3P6770F00000007	Y3P6770F0000000G
50	25	25	0	Y3P6500022500007	Y3P650002250000G	77	20	0	0	Y3P6770012000007	Y3P677001200000G
50	25	25	23.5	Y3P6500D22500007	Y3P6500D2250000G	77	20	0	23.5	Y3P6770D12000007	Y3P6770D1200000G
50	25	25	M25x1.5	Y3P6500F22500007	Y3P6500F2250000G	77	20	0	M25x1.5	Y3P6770F12000007	Y3P6770F1200000G
60	0	0	0	Y3P6600000000007	Y3P660000000000G	77	20	20	0	Y3P6770022000007	Y3P677002200000G
60	0	0	23.5	Y3P6600D00000007	Y3P6600D0000000G	77	20	20	23.5	Y3P6770D22000007	Y3P6770D2200000G
60	0	0	M25x1.5	Y3P6600F00000007	Y3P6600F0000000G	77	20	20	M25x1.5	Y3P6770F22000007	Y3P6770F2200000G
60	20	0	0	Y3P6600012000007	Y3P660001200000G	77	25	0	0	Y3P6770012500007	Y3P677001250000G
60	20	0	23.5	Y3P6600D12000007	Y3P6600D1200000G	77	25	0	23.5	Y3P6770D12500007	Y3P6770D1250000G
60	20	0	M25x1.5	Y3P6600F12000007	Y3P6600F1200000G	77	25	0	M25x1.5	Y3P6770F12500007	Y3P6770F1250000G
60	20	20	0	Y3P6600022000007	Y3P660002200000G	77	25	25	0	Y3P6770022500007	Y3P677002250000G
60	20	20	23.5	Y3P6600D22000007	Y3P6600D2200000G	77	25	25	23.5	Y3P6770D22500007	Y3P6770D2250000G
60	20	20	M25x1.5	Y3P6600F22000007	Y3P6600F2200000G	77	25	25	M25x1.5	Y3P6770F22500007	Y3P6770F2250000G