

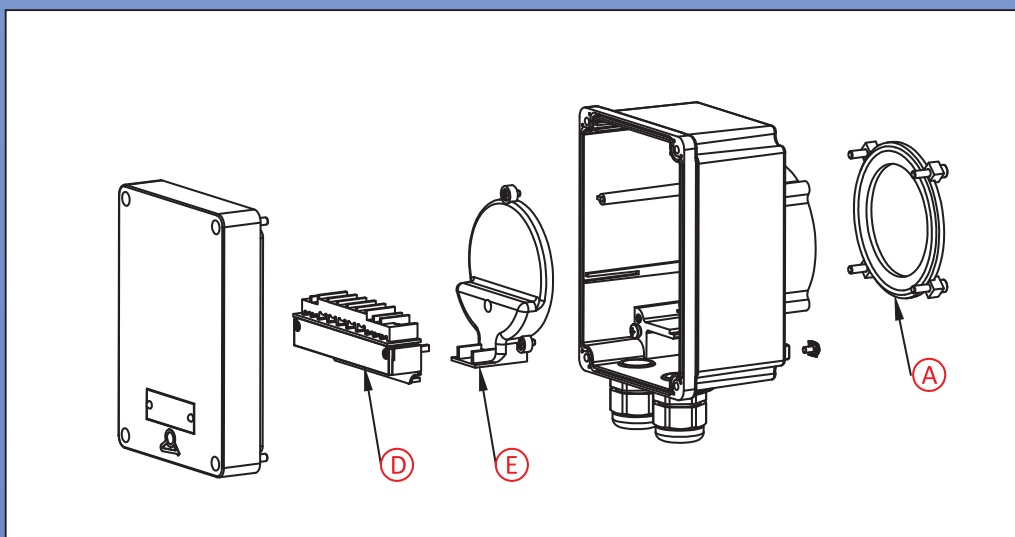
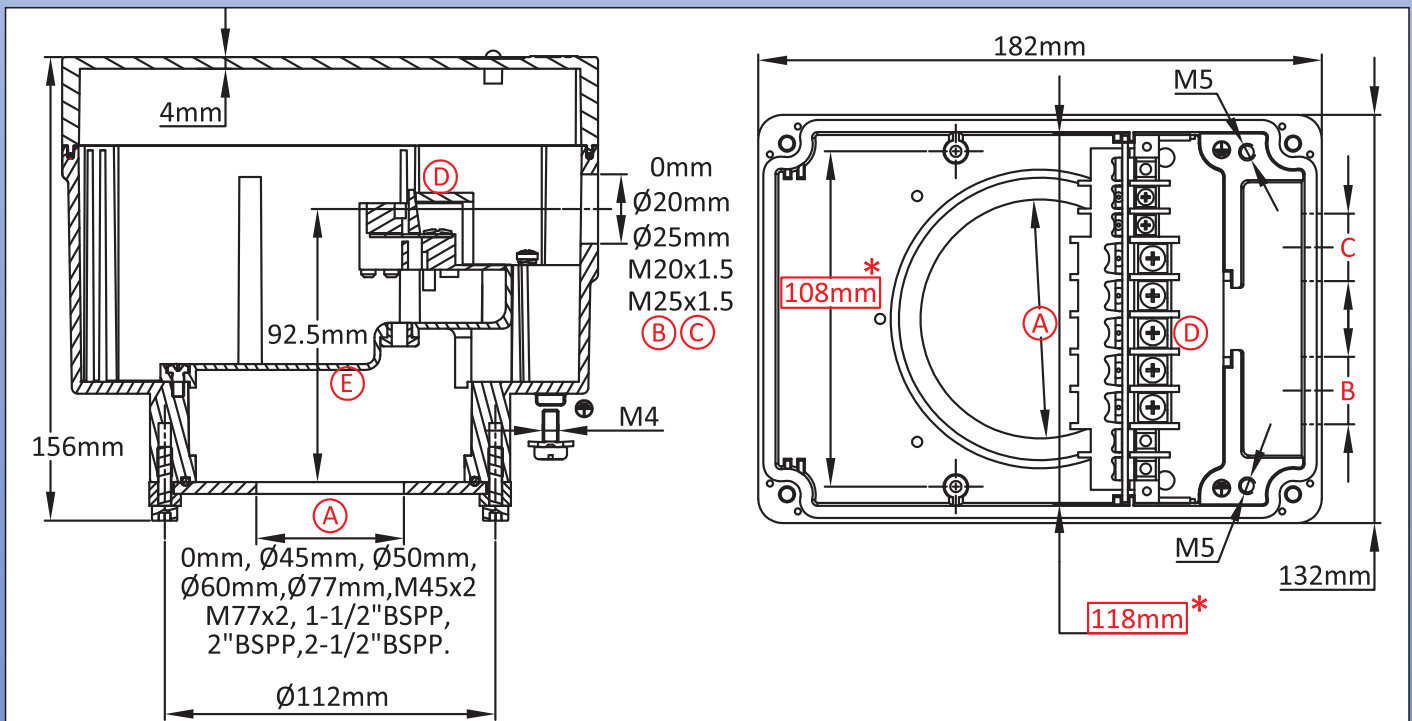
# Boîtier de thermoplongeur tout aluminium avec raccord déporté de 30mm

En raison de l'évolution technique constante de nos produits, les plans, dessins et caractéristiques repris dans les pages techniques sont communiqués sans engagement et peuvent être modifiés sans préavis

Taille(mm)	Volume(cm <sup>3</sup> )	Matière	Degrés de protection		Modèle
<b>182 x 132 x 144</b>	<b>2795</b>	<b>Aluminium</b>	<b>IP69K</b>	<b>IK10</b>	<b>Y309</b> <b>(P1)</b>

## Utilisable pour

- Capteur de température
- Thermoplongeur
- Résistance à ailettes
- Thermostat
- Détecteur de niveau
- Carte électronique



## Liens



Page  
(.pdf)



Plan 2D  
(.dwg)



Plan 3D  
(.stp)

Presse étoupe non inclus dans les références ci-dessus. Nous consulter si vous les souhaitez.  
Les dimensions encadrées en rouge sont celles prévues pour le montage des accessoires.

## Références principales

Ⓐ(mm)	Ⓑ(mm)	Ⓒ(mm)	Brut	Peint	Ⓐ(mm)	Ⓑ(mm)	Ⓒ(mm)	Brut	Peint
0	0	0	Y309000000J1007	Y309000000J100G	M45x2	0	0	Y309M450000J1007	Y309M450000J100G
0	20	0	Y3090000120J1007	Y3090000120J100G	M45x2	20	0	Y309M450120J1007	Y309M450120J100G
0	20	20	Y3090000220J1007	Y3090000220J100G	M45x2	20	20	Y309M450220J1007	Y309M450220J100G
0	25	0	Y3090000125J1007	Y3090000125J100G	M45x2	25	0	Y309M450125J1007	Y309M450125J100G
0	25	25	Y3090000225J1007	Y3090000225J100G	M45x2	25	25	Y309M450225J1007	Y309M450225J100G
0	M20x1.5	0	Y30900001T0J1007	Y30900001T0J100G	M45x2	M20x1.5	0	Y309M4501T0J1007	Y309M4501T0J100G
0	M20x1.5	M20x1.5	Y30900002T0J1007	Y30900002T0J100G	M45x2	M20x1.5	M20x1.5	Y309M4502T0J1007	Y309M4502T0J100G
0	M25x1.5	0	Y30900001T5J1007	Y30900001T5J100G	M45x2	M25x1.5	0	Y309M4501T5J1007	Y309M4501T5J100G
0	M25x1.5	M25x1.5	Y30900002T5J1007	Y30900002T5J100G	M45x2	M25x1.5	M25x1.5	Y309M4502T5J1007	Y309M4502T5J100G
45	0	0	Y309450000J1007	Y309450000J100G	M77x2	0	0	Y309M770000J1007	Y309M770000J100G
45	20	0	Y3094500120J1007	Y3094500120J100G	M77x2	20	0	Y309M770120J1007	Y309M770120J100G
45	20	20	Y3094500220J1007	Y3094500220J100G	M77x2	20	20	Y309M770220J1007	Y309M770220J100G
45	25	0	Y3094500125J1007	Y3094500125J100G	M77x2	25	0	Y309M770125J1007	Y309M770125J100G
45	25	25	Y3094500225J1007	Y3094500225J100G	M77x2	25	25	Y309M770225J1007	Y309M770225J100G
45	M20x1.5	0	Y30945001T0J1007	Y30945001T0J100G	M77x2	M20x1.5	0	Y309M7701T0J1007	Y309M7701T0J100G
45	M20x1.5	M20x1.5	Y30945002T0J1007	Y30945002T0J100G	M77x2	M20x1.5	M20x1.5	Y309M7702T0J1007	Y309M7702T0J100G
45	M25x1.5	0	Y30945001T5J1007	Y30945001T5J100G	M77x2	M25x1.5	0	Y309M7701T5J1007	Y309M7701T5J100G
45	M25x1.5	M25x1.5	Y30945002T5J1007	Y30945002T5J100G	M77x2	M25x1.5	M25x1.5	Y309M7702T5J1007	Y309M7702T5J100G
50	0	0	Y309500000J1007	Y309500000J100G	1½"BSPP	0	0	Y309BA20000J1007	Y309BA20000J100G
50	20	0	Y3095000120J1007	Y3095000120J100G	1½"BSPP	20	0	Y309BA20120J1007	Y309BA20120J100G
50	20	20	Y3095000220J1007	Y3095000220J100G	1½"BSPP	20	20	Y309BA20220J1007	Y309BA20220J100G
50	25	0	Y3095000125J1007	Y3095000125J100G	1½"BSPP	25	0	Y309BA20125J1007	Y309BA20125J100G
50	25	25	Y3095000225J1007	Y3095000225J100G	1½"BSPP	25	25	Y309BA20225J1007	Y309BA20225J100G
50	M20x1.5	0	Y30950001T0J1007	Y30950001T0J100G	1½"BSPP	M20x1.5	0	Y309BA201T0J1007	Y309BA201T0J100G
50	M20x1.5	M20x1.5	Y30950002T0J1007	Y30950002T0J100G	1½"BSPP	M20x1.5	M20x1.5	Y309BA202T0J1007	Y309BA202T0J100G
50	M25x1.5	0	Y30950001T5J1007	Y30950001T5J100G	1½"BSPP	M25x1.5	0	Y309BA201T5J1007	Y309BA201T5J100G
50	M25x1.5	M25x1.5	Y30950002T5J1007	Y30950002T5J100G	1½"BSPP	M25x1.5	M25x1.5	Y309BA202T5J1007	Y309BA202T5J100G
60	0	0	Y309600000J1007	Y309600000J100G	2"BSPP	0	0	Y309BB20000J1007	Y309BB20000J100G
60	20	0	Y3096000120J1007	Y3096000120J100G	2"BSPP	20	0	Y309BB20120J1007	Y309BB20120J100G
60	20	20	Y3096000220J1007	Y3096000220J100G	2"BSPP	20	20	Y309BB20220J1007	Y309BB20220J100G
60	25	0	Y3096000125J1007	Y3096000125J100G	2"BSPP	25	0	Y309BB20125J1007	Y309BB20125J100G
60	25	25	Y3096000225J1007	Y3096000225J100G	2"BSPP	25	25	Y309BB20225J1007	Y309BB20225J100G
60	M20x1.5	0	Y30960001T0J1007	Y30960001T0J100G	2"BSPP	M20x1.5	0	Y309BB201T0J1007	Y309BB201T0J100G
60	M20x1.5	M20x1.5	Y30960002T0J1007	Y30960002T0J100G	2"BSPP	M20x1.5	M20x1.5	Y309BB202T0J1007	Y309BB202T0J100G
60	M25x1.5	0	Y30960001T5J1007	Y30960001T5J100G	2"BSPP	M25x1.5	0	Y309BB201T5J1007	Y309BB201T5J100G
60	M25x1.5	M25x1.5	Y30960002T5J1007	Y30960002T5J100G	2"BSPP	M25x1.5	M25x1.5	Y309BB202T5J1007	Y309BB202T5J100G
77	0	0	Y309770000J1007	Y309770000J100G	2½"BSPP	0	0	Y309BC20000J1007	Y309BC20000J100G
77	20	0	Y3097700120J1007	Y3097700120J100G	2½"BSPP	20	0	Y309BC20120J1007	Y309BC20120J100G
77	20	20	Y3097700220J1007	Y3097700220J100G	2½"BSPP	20	20	Y309BC20220J1007	Y309BC20220J100G
77	25	0	Y3097700125J1007	Y3097700125J100G	2½"BSPP	25	0	Y309BC20125J1007	Y309BC20125J100G
77	25	25	Y3097700225J1007	Y3097700225J100G	2½"BSPP	25	25	Y309BC20225J1007	Y309BC20225J100G
77	M20x1.5	0	Y30977001T0J1007	Y30977001T0J100G	2½"BSPP	M20x1.5	0	Y309BC201T0J1007	Y309BC201T0J100G
77	M20x1.5	M20x1.5	Y30977002T0J1007	Y30977002T0J100G	2½"BSPP	M20x1.5	M20x1.5	Y309BC202T0J1007	Y309BC202T0J100G
77	M25x1.5	0	Y30977001T5J1007	Y30977001T5J100G	2½"BSPP	M25x1.5	0	Y309BC201T5J1007	Y309BC201T5J100G
77	M25x1.5	M25x1.5	Y30977002T5J1007	Y30977002T5J100G	2½"BSPP	M25x1.5	M25x1.5	Y309BC202T5J1007	Y309BC202T5J100G