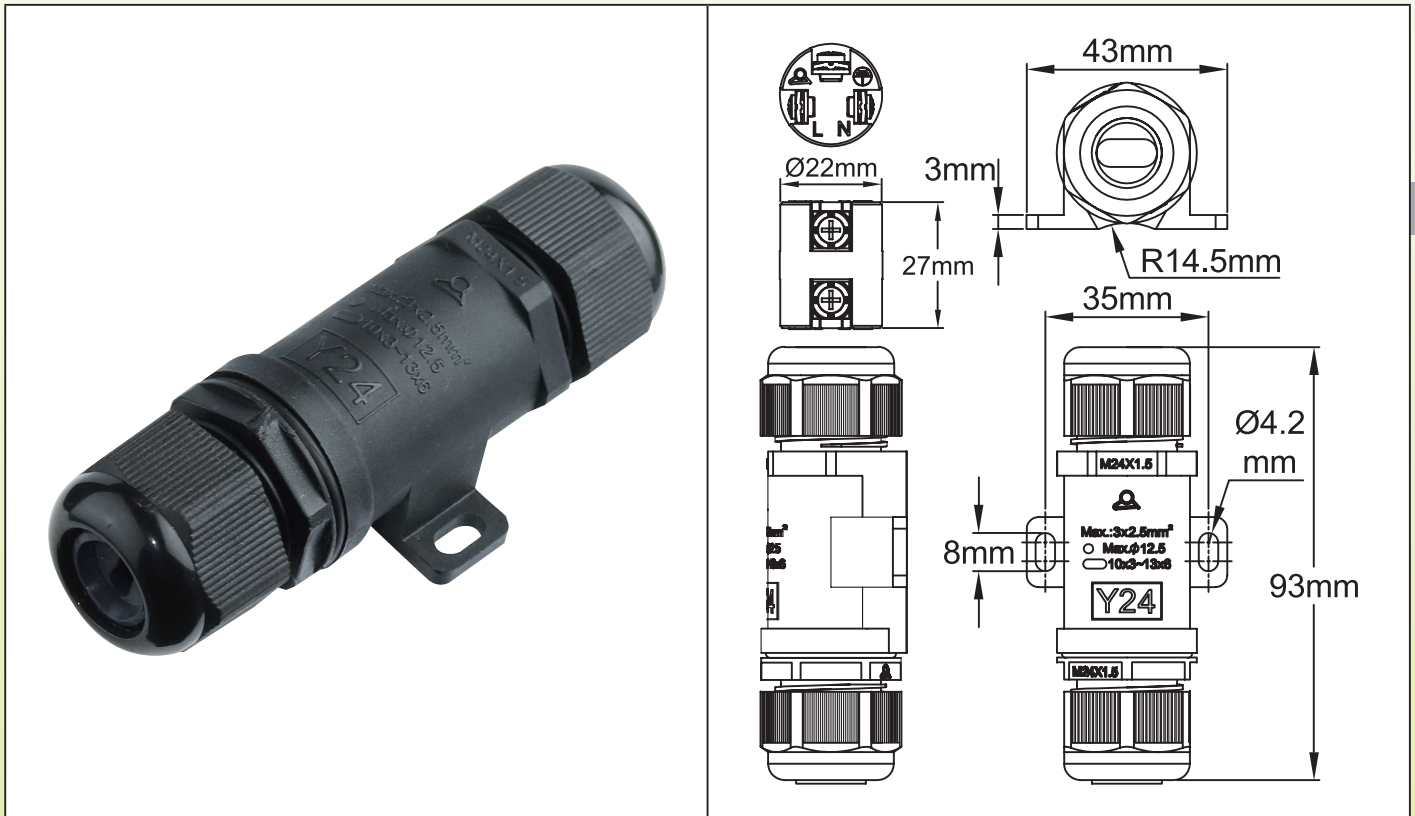


Heat tracing accessories

In line connection box for heat tracing cables

Type Y24



Applications

This box allows to connect end-to-end, on field, a round or flat heating cable to a round power cable. However, it also makes it possible to connect together two round cables or two flat cables. The internal connection terminal block is ceramic.

Main features

Material: Polyamide 66 black, total length 93mm. Good UV resistance.

Waterproof grade: IP66

Mounting:

- By 2 side brackets for wall mounting for 4 mm diameter screws, 35mm between axis.
- On the tube by a nylon tie. The lower part is concave to facilitate this assembly and the oblong holes of the legs allow the passage and holding of a cable tie.

Terminal block:

- High temperature ceramic with screw terminals with captive toothed square washers accepting bare conductors
- 3 conductors, from 0.5 to 2.5mm².
- Maximum permissible intensity: 16A 250V.

Cable clamping: with M24 cable glands, with silicone gaskets.

- Maximum diameter of round cables: 12,5mm.
- Limit sizes of flat cables: from 10 x 3 to 13 x 6mm. (comes with a set of different diameters).

Excellent cable retention at both ends.

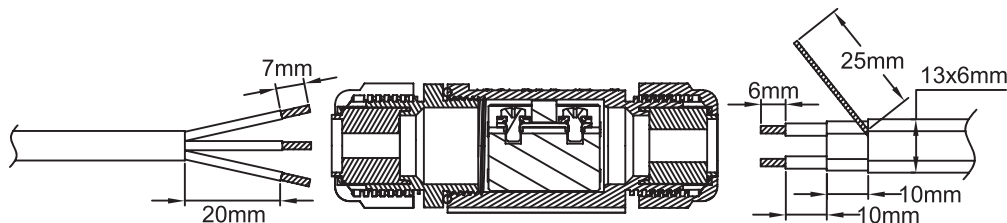
Easy assembly: it is possible to slide the ceramic terminal block out of the body to connect the cables to the outside.

Reference: Y24

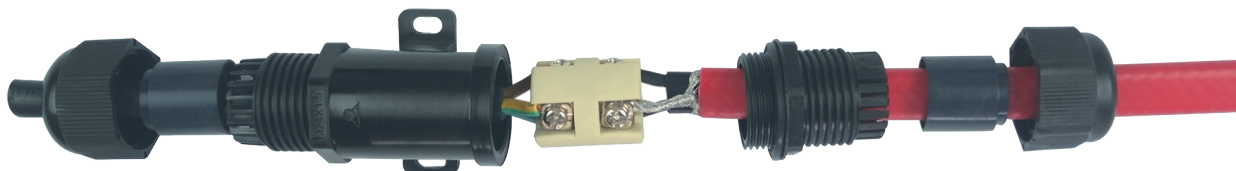
Excerpt from catalogue 12 "Heat tracing"

Heat tracing accessories

Stripping dimensions of round and oblong cables



Cables assembly operations



Pass the cables through the cable glands after sliding out the terminal block. Connect the cables to the terminal block.



Slide the terminal block into the housing, tighten the round cable gland.



Screw the body of the mobile cable gland without sliding in the flat cable gland gasket



Slide the flat cable gasket into the cable gland and tighten the nut



Fix the box on a wall (with 2 screws) or on a tube (with a nylon cable tie)

Excerpt from catalogue 12 "Heat tracing"