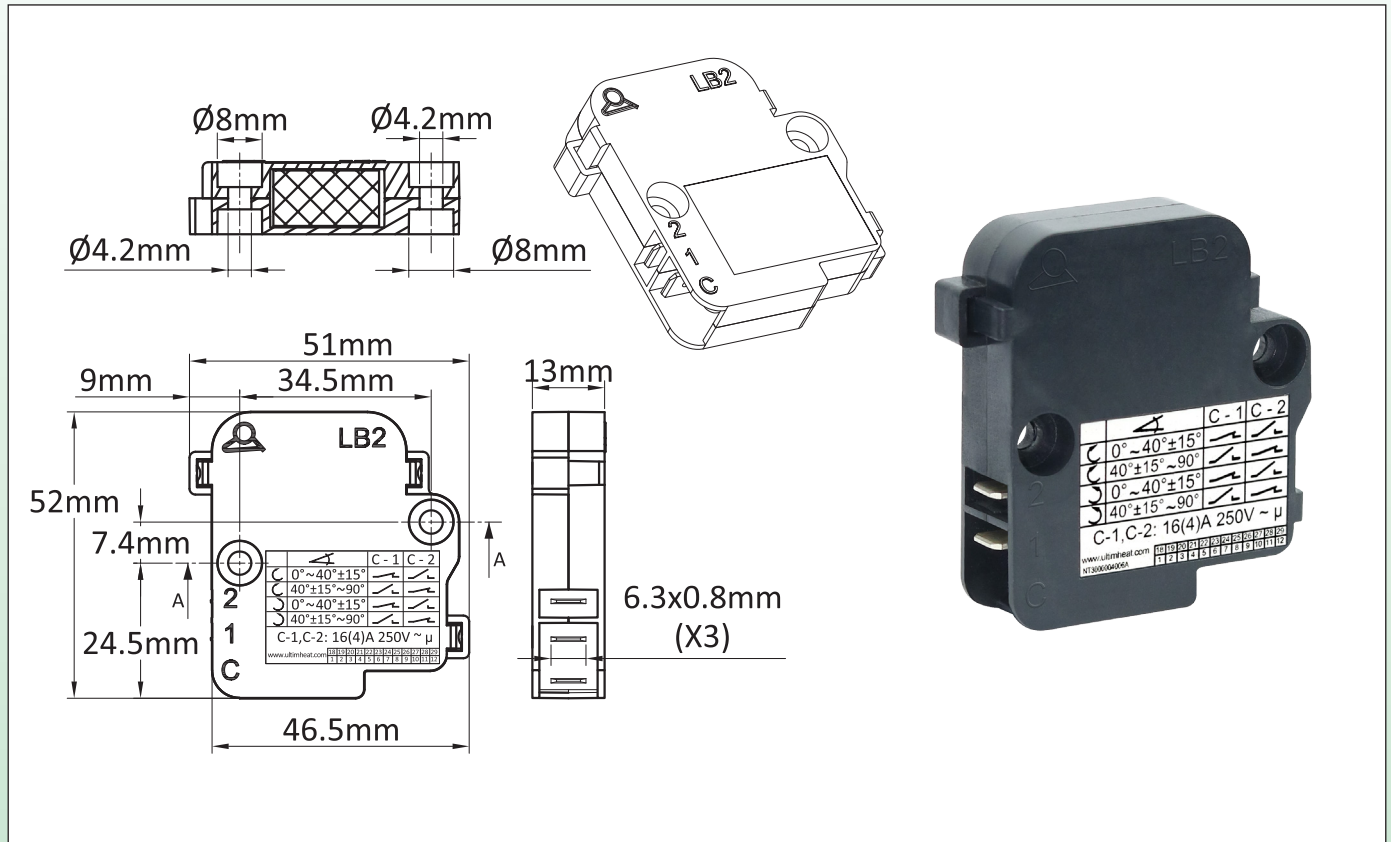


# New products 2018

## 2 direction tilt switch, 16A 250V

### Type LB2



#### Applications

These tilt switches are designed to switch off the power supply of portable electric radiator heaters or other position sensitive devices. Flat and compact, they are easy to integrate in the control boards.

#### Main features

**Installation:** Wall mounting by two M4 screws.

**Electrical rating:** 16A 250V resistive, 50000 cycles.

**Contact:** SPDT.

**Angular operation diagram:** The contact between C and 1 is closed between 0° and 40° / -15° angular from vertical and opens when this angle is greater, means in case of tilting of the heater.

**Temperature:** max. 85°C.

**Case material:** PA66, UL94 VO .

**Connection:** 6.3 0.8 tabs.

#### Contact operation diagram

|  |             | C - 1 | C - 2 |
|--|-------------|-------|-------|
|  | 0°~40°±15°  |       |       |
|  | 40°±15°~90° |       |       |
|  | 0°~40°±15°  |       |       |
|  | 40°±15°~90° |       |       |

Reference LB2

Because of permanent improvement of our products, drawings, descriptions, features used on these data sheets are for guidance only and can be modified without prior advice