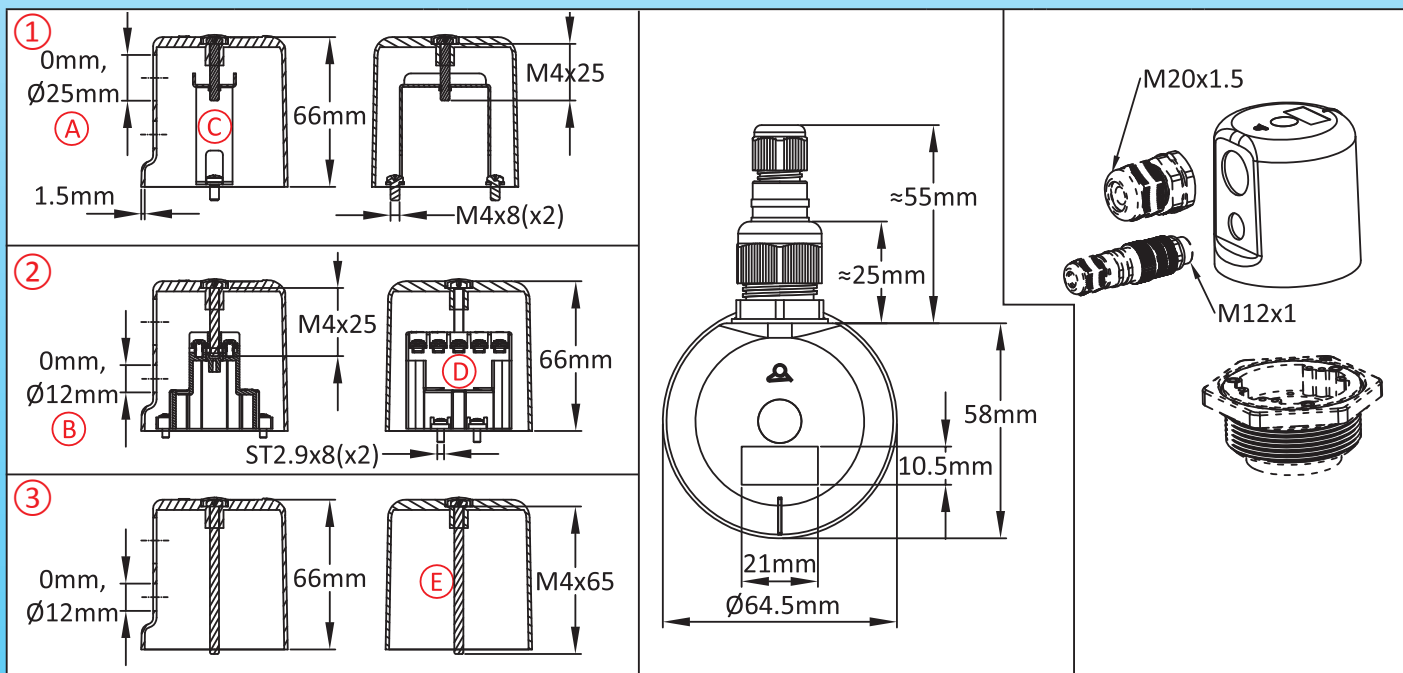
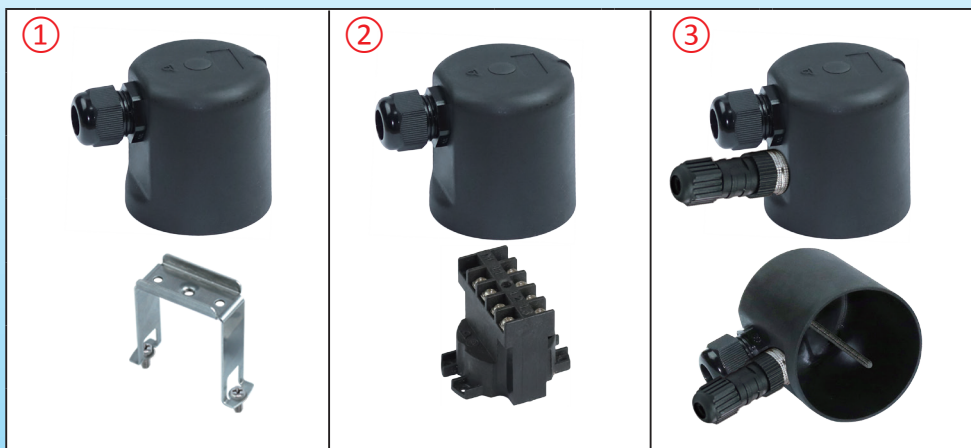


Miniature Enclosure for 2" fittings

Size(mm)	Volume(cm ³)	Material	Protection grade		Model
Dia. 65 x 66	200	PA66	IP69K	IK8	Y3C2

Suitable for
<input type="checkbox"/> Temperature sensor
<input checked="" type="checkbox"/> Immersion heater
<input type="checkbox"/> Finned heater
<input type="checkbox"/> Thermostat
<input type="checkbox"/> Level sensor
<input type="checkbox"/> Electronic board



Main references

(A)(mm)	(B)(mm)	(C) (With saddle)	(D)(With connection block)	(E) (With center screw)	References
0	0	√	×	×	Y3C20001000E100T
0	0	×	√	×	Y3C20001000H200T
0	0	×	×	√	Y3C200010000100T
0	12	√	×	×	Y3C20001112E100T
0	12	×	√	×	Y3C20001112H200T
0	12	×	×	√	Y3C20001120100T
25	0	√	×	×	Y3C20001125E100T
25	0	×	√	×	Y3C20001125H200T
25	0	×	×	√	Y3C200011250100T
25	12	√	×	×	Y3C200012A0E100T
25	12	×	√	×	Y3C200012A0H200T
25	12	×	×	√	Y3C200012A00100T

Links

	Page (.pdf)
	Drawing 2D (.dwg)
	Drawing 3D (.stp)

Cable gland not included in these reference, consult us if you want them.

Red dimensions inside rectangular frames on drawings are used for accessories assembly.