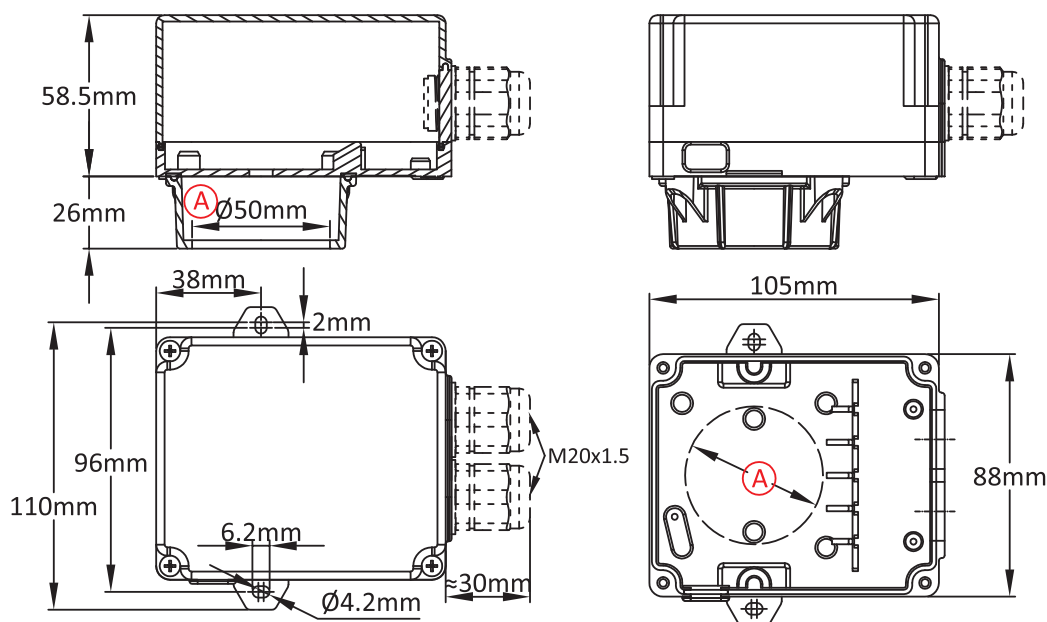
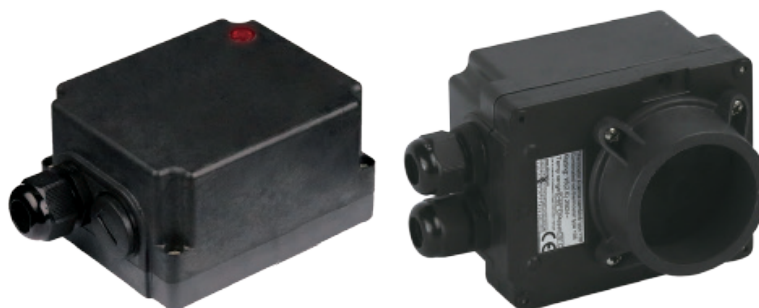


# Immersion heater housing for commercial water heater tanks

Size(mm)	Volume(cm <sup>3</sup> )	Material	Protection grade		Model
105 X 88 x 84.5	633	PA66	IP69K	IK10	<b>Y3B2</b>

## Suitable for




- Temperature sensor
- Immersion heater
- Finned heater
- Thermostat
- Level sensor
- Electronic board



## Main references

<span style="border: 1px solid red; border-radius: 50%; padding: 2px;">A</span> (mm)	References
50	Y3B2500022C0000T

## Links

	Page (.pdf)
	Drawing 2D (.dwg)
	Drawing 3D (.stp)

Cable gland not included in these reference, consult us if you want them.

Red dimensions inside rectangular frames on drawings are used for accessories assembly.