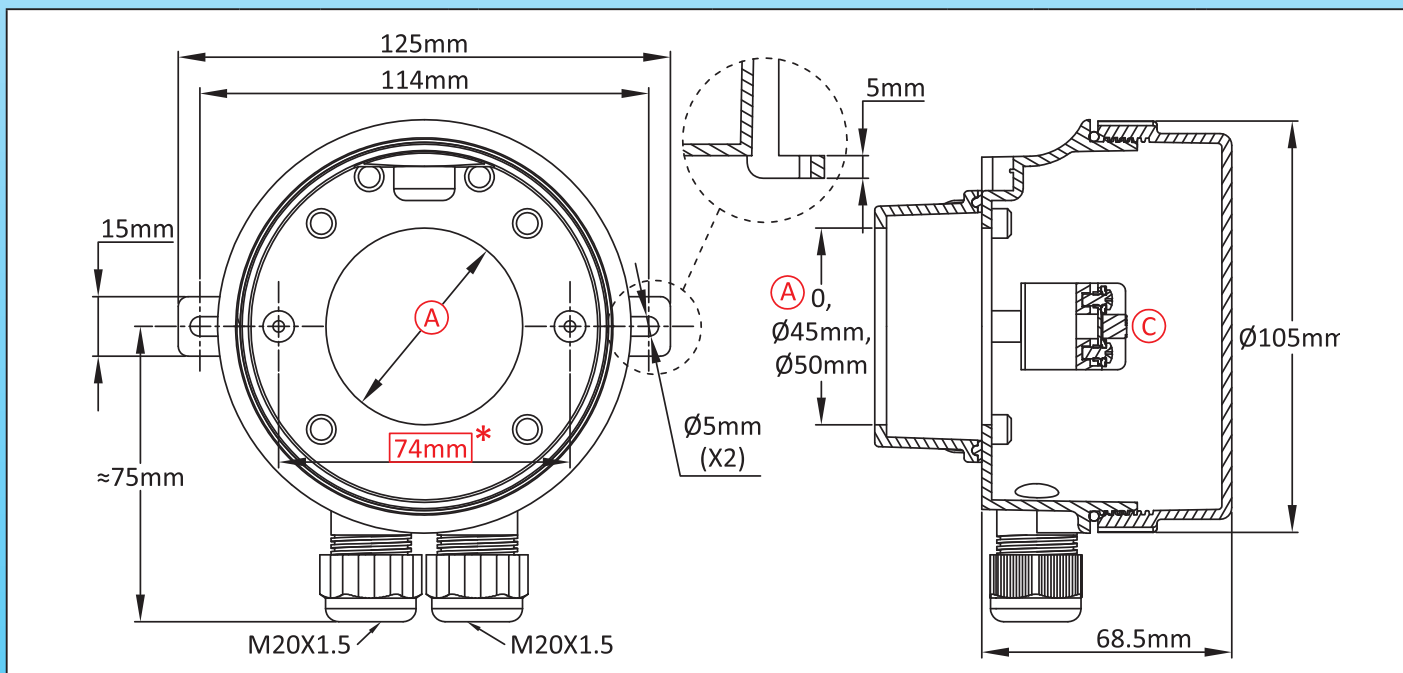


Immersion heater enclosure with extension. In PA66 and polycarbonate

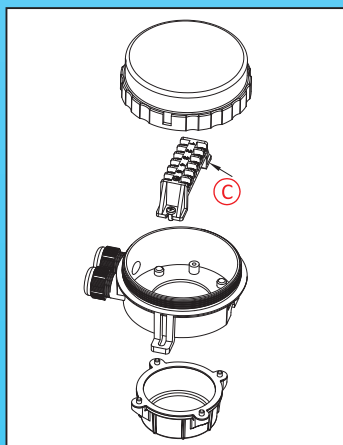
Size(mm)	Volume(cm ³)	Material	Protection grade		Model
Dia. 105 X 87	583	PA66 + PC	IP69K	IK10	Y3F3

Suitable for
<input type="checkbox"/> Temperature sensor
<input checked="" type="checkbox"/> Immersion heater
<input type="checkbox"/> Finned heater
<input checked="" type="checkbox"/> Thermostat
<input type="checkbox"/> Level sensor
<input type="checkbox"/> Electronic board



Main references

With connection block ⓐ	Without connection block ⓐ
Y3F3500022AH400T	Y3F3500022A0000T



Links

	Page (.pdf)
	Drawing 2D (.dwg)
	Drawing 3D (.stp)

Cable gland not included in these reference, consult us if you want them.

Red dimensions inside rectangular frames on drawings are used for accessories assembly.