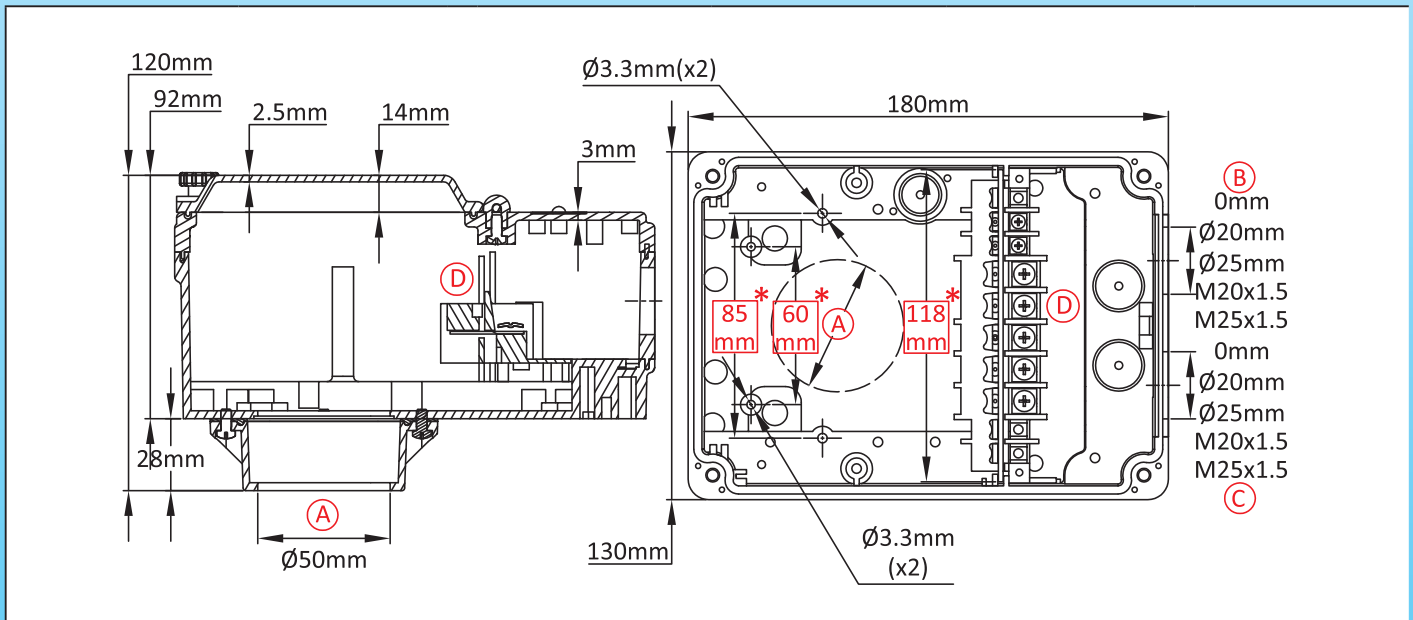
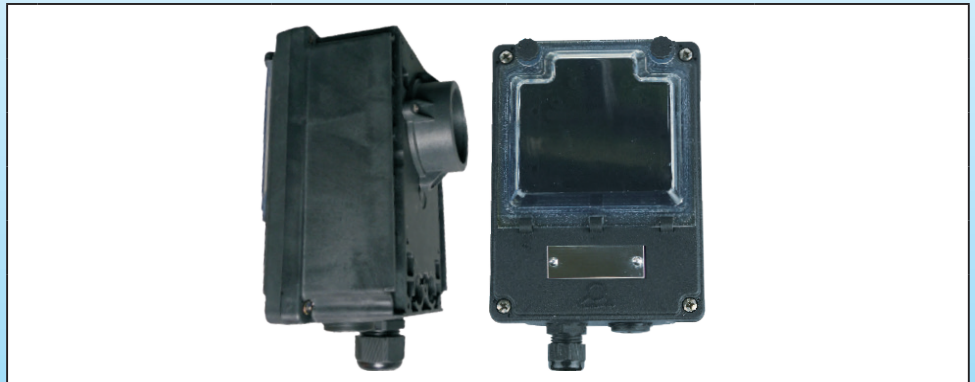


Enclosure with window for immersion heaters, with extension. Body in PA66

Size(mm)	Volume(cm ³)	Material	Protection grade		Model
130 X 180 X 120	2093	PA66 + PC	IP69K	IK10	Y3N3

Suitable for
<input type="checkbox"/> Temperature sensor
<input checked="" type="checkbox"/> Immersion heater
<input checked="" type="checkbox"/> Finned heater
<input checked="" type="checkbox"/> Thermostat
<input type="checkbox"/> Level sensor
<input checked="" type="checkbox"/> Electronic board



Main references

ⓑ(mm)	ⓒ(mm)	With connection block ⓓ	Without connection block ⓓ
0	0	Y3N35000000J100T	Y3N350000000000T
0	20	Y3N35000120J100T	Y3N350001200000T
0	25	Y3N35000125J100T	Y3N350001250000T
0	M20x1.5	Y3N350001T0J100T	Y3N350001T00000T
0	M25x1.5	Y3N350001T5J100T	Y3N350001T50000T
20	20	Y3N35000220J100T	Y3N350002200000T
25	25	Y3N35000225J100T	Y3N350002250000T
M20x1.5	M20x1.5	Y3N350002T0J100T	Y3N350002T00000T
M25x1.5	M25x1.5	Y3N350002T5J100T	Y3N350002T50000T

Links



Page (.pdf)



Drawing 2D (.dwg)



Drawing 3D (.stp)

Cable gland not included in these reference, consult us if you want them.

Red dimensions inside rectangular frames on drawings are used for accessories assembly.