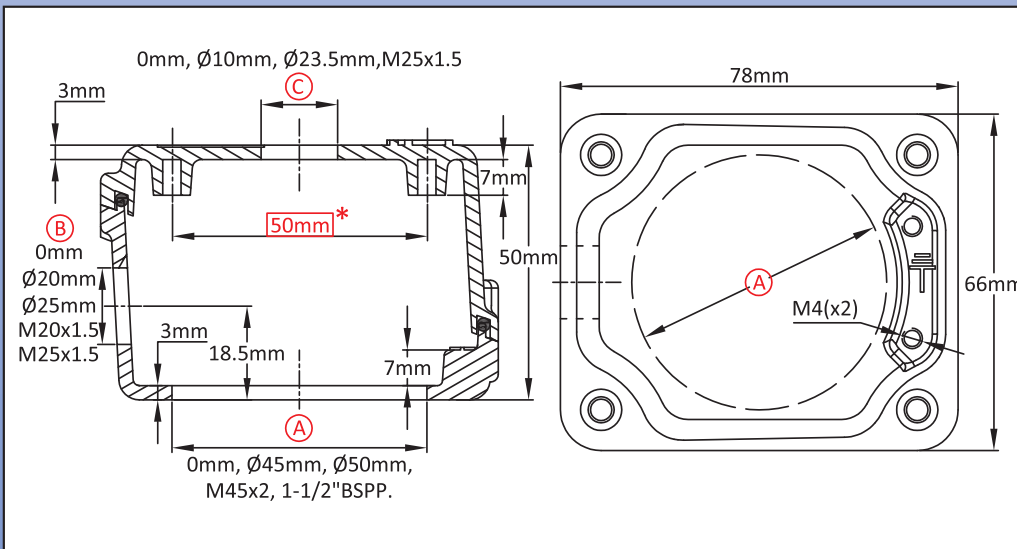


# Miniature enclosure for immersion heater, level sensor or temperature sensor

Size(mm)	Volume(cm <sup>3</sup> )	Material	Protection grade		Model
<b>78 x 66 x 50</b>	<b>210</b>	<b>Aluminum</b>	<b>IP69K</b>	<b>IK10</b>	<b>Y303</b> <b>(P1)</b>

### Suitable for

- Temperature sensor
- Immersion heater
- Finned heater
- Thermostat
- Level sensor
- Electronic board



### Links



Page  
(.pdf)



Drawing 2D  
(.dwg)



Drawing 3D  
(.stp)

### Main references

(A) (mm)	(B) (mm)	(C) (mm)	Not painted	Painted	(A) (mm)	(B) (mm)	(C) (mm)	Not painted	Painted
0	0	0	Y303000000000007	Y30300000000000G	0	M20x1.5	0	Y30300001T000007	Y30300001T00000G
0	0	10	Y303000A00000007	Y303000A0000000G	0	M20x1.5	10	Y303000A1T000007	Y303000A1T00000G
0	0	23.5	Y303000D00000007	Y303000D0000000G	0	M20x1.5	23.5	Y303000D1T000007	Y303000D1T00000G
0	0	M25x1.5	Y303000F00000007	Y303000F0000000G	0	M20x1.5	M25x1.5	Y303000F1T000007	Y303000F1T00000G
0	20	0	Y303000012000007	Y30300001200000G	0	M25x1.5	0	Y30300001T500007	Y30300001T50000G
0	20	10	Y303000A12000007	Y303000A1200000G	0	M25x1.5	10	Y303000A1T500007	Y303000A1T50000G
0	20	23.5	Y303000D12000007	Y303000D1200000G	0	M25x1.5	23.5	Y303000D1T500007	Y303000D1T50000G
0	20	M25x1.5	Y303000F12000007	Y303000F1200000G	0	M25x1.5	M25x1.5	Y303000F1T500007	Y303000F1T50000G
0	25	0	Y303000012500007	Y30300001250000G	45	0	0	Y303450000000007	Y30345000000000G
0	25	10	Y303000A12500007	Y303000A1250000G	45	0	10	Y303450A00000007	Y303450A00000000G
0	25	23.5	Y303000D12500007	Y303000D1250000G	45	0	23.5	Y303450D00000007	Y303450D00000000G
0	25	M25x1.5	Y303000F12500007	Y303000F1250000G	45	0	M25x1.5	Y303450F00000007	Y303450F00000000G

Cable gland not included in these reference, consult us if you want them.

Red dimensions inside rectangular frames are used for accessories assembly.

Because of permanent improvement of our products, drawings, descriptions, features used on these data sheets are for guidance only and can be modified without prior advice

# Miniature enclosure for immersion heater, level sensor or temperature sensor

**Y303  
(P2)**

(A) (mm)	(B) (mm)	(C) (mm)	Not painted	Painted	(A) (mm)	(B) (mm)	(C) (mm)	Not painted	Painted
45	20	0	Y303450012000007	Y30345001200000G	M45x2	0	23.5	Y303M45D000000007	Y303M45D00000000G
45	20	10	Y303450A12000007	Y303450A1200000G	M45x2	0	M25x1.5	Y303M45F000000007	Y303M45F00000000G
45	20	23.5	Y303450D12000007	Y303450D1200000G	M45x2	20	0	Y303M45012000007	Y303M4501200000G
45	20	M25x1.5	Y303450F12000007	Y303450F1200000G	M45x2	20	10	Y303M45A12000007	Y303M45A1200000G
45	25	0	Y303450012500007	Y30345001250000G	M45x2	20	23.5	Y303M45D12000007	Y303M45D1200000G
45	25	10	Y303450A12500007	Y303450A1250000G	M45x2	20	M25x1.5	Y303M45F12000007	Y303M45F1200000G
45	25	23.5	Y303450D12500007	Y303450D1250000G	M45x2	25	0	Y303M45012500007	Y303M4501250000G
45	25	M25x1.5	Y303450F12500007	Y303450F1250000G	M45x2	25	10	Y303M45A12500007	Y303M45A1250000G
45	M20x1.5	0	Y30345001T000007	Y30345001T00000G	M45x2	25	23.5	Y303M45D12500007	Y303M45D1250000G
45	M20x1.5	10	Y303450A1T000007	Y303450A1T00000G	M45x2	25	M25x1.5	Y303M45F12500007	Y303M45F1250000G
45	M20x1.5	23.5	Y303450D1T000007	Y303450D1T00000G	M45x2	M20x1.5	0	Y303M4501T000007	Y303M4501T00000G
45	M20x1.5	M25x1.5	Y303450F1T000007	Y303450F1T00000G	M45x2	M20x1.5	10	Y303M45A1T000007	Y303M45A1T00000G
45	M25x1.5	0	Y30345001T500007	Y30345001T50000G	M45x2	M20x1.5	23.5	Y303M45D1T000007	Y303M45D1T00000G
45	M25x1.5	10	Y303450A1T500007	Y303450A1T50000G	M45x2	M20x1.5	M25x1.5	Y303M45F1T000007	Y303M45F1T00000G
45	M25x1.5	23.5	Y303450D1T500007	Y303450D1T50000G	M45x2	M25x1.5	0	Y303M4501T500007	Y303M4501T50000G
45	M25x1.5	M25x1.5	Y303450F1T500007	Y303450F1T50000G	M45x2	M25x1.5	10	Y303M45A1T500007	Y303M45A1T50000G
50	0	0	Y303500000000007	Y30350000000000G	M45x2	M25x1.5	23.5	Y303M45D1T500007	Y303M45D1T50000G
50	0	10	Y303500A000000007	Y303500A00000000G	M45x2	M25x1.5	M25x1.5	Y303M45F1T500007	Y303M45F1T50000G
50	0	23.5	Y303500D000000007	Y303500D00000000G	1½" BSPP	0	0	Y303BA2000000007	Y303BA200000000G
50	0	M25x1.5	Y303500F000000007	Y303500F00000000G	1½" BSPP	0	10	Y303BA2A000000007	Y303BA2A00000000G
50	20	0	Y303500012000007	Y30350001200000G	1½" BSPP	0	23.5	Y303BA2D000000007	Y303BA2D00000000G
50	20	10	Y303500A12000007	Y303500A1200000G	1½" BSPP	0	M25x1.5	Y303BA2F000000007	Y303BA2F00000000G
50	20	23.5	Y303500D12000007	Y303500D1200000G	1½" BSPP	20	0	Y303BA2012000007	Y303BA201200000G
50	20	M25x1.5	Y303500F12000007	Y303500F1200000G	1½" BSPP	20	10	Y303BA2A12000007	Y303BA2A1200000G
50	25	0	Y303500012500007	Y30350001250000G	1½" BSPP	20	23.5	Y303BA2D12000007	Y303BA2D1200000G
50	25	10	Y303500A12500007	Y303500A1250000G	1½" BSPP	20	M25x1.5	Y303BA2F12000007	Y303BA2F1200000G
50	25	23.5	Y303500D12500007	Y303500D1250000G	1½" BSPP	25	0	Y303BA2012500007	Y303BA201250000G
50	25	M25x1.5	Y303500F12500007	Y303500F1250000G	1½" BSPP	25	10	Y303BA2A12500007	Y303BA2A1250000G
50	M20x1.5	0	Y30350001T000007	Y30350001T00000G	1½" BSPP	25	23.5	Y303BA2D12500007	Y303BA2D1250000G
50	M20x1.5	10	Y303500A1T000007	Y303500A1T00000G	1½" BSPP	25	M25x1.5	Y303BA2F12500007	Y303BA2F1250000G
50	M20x1.5	23.5	Y303500D1T000007	Y303500D1T00000G	1½" BSPP	M20x1.5	0	Y303BA201T000007	Y303BA201T00000G
50	M20x1.5	M25x1.5	Y303500F1T000007	Y303500F1T00000G	1½" BSPP	M20x1.5	10	Y303BA2A1T000007	Y303BA2A1T00000G
50	M25x1.5	0	Y30350001T500007	Y30350001T50000G	1½" BSPP	M20x1.5	23.5	Y303BA2D1T000007	Y303BA2D1T00000G
50	M25x1.5	10	Y303500A1T500007	Y303500A1T50000G	1½" BSPP	M20x1.5	M25x1.5	Y303BA2F1T000007	Y303BA2F1T00000G
50	M25x1.5	23.5	Y303500D1T500007	Y303500D1T50000G	1½" BSPP	M25x1.5	0	Y303BA201T500007	Y303BA201T50000G
50	M25x1.5	M25x1.5	Y303500F1T500007	Y303500F1T50000G	1½" BSPP	M25x1.5	10	Y303BA2A1T500007	Y303BA2A1T50000G
M45x2	0	0	Y303M45000000007	Y303M4500000000G	1½" BSPP	M25x1.5	23.5	Y303BA2D1T500007	Y303BA2D1T50000G
M45x2	0	10	Y303M45A000000007	Y303M45A00000000G	1½" BSPP	M25x1.5	M25x1.5	Y303BA2F1T500007	Y303BA2F1T50000G

Because of permanent improvement of our products, drawings, descriptions, features used on these data sheets are for guidance only and can be modified without prior advice