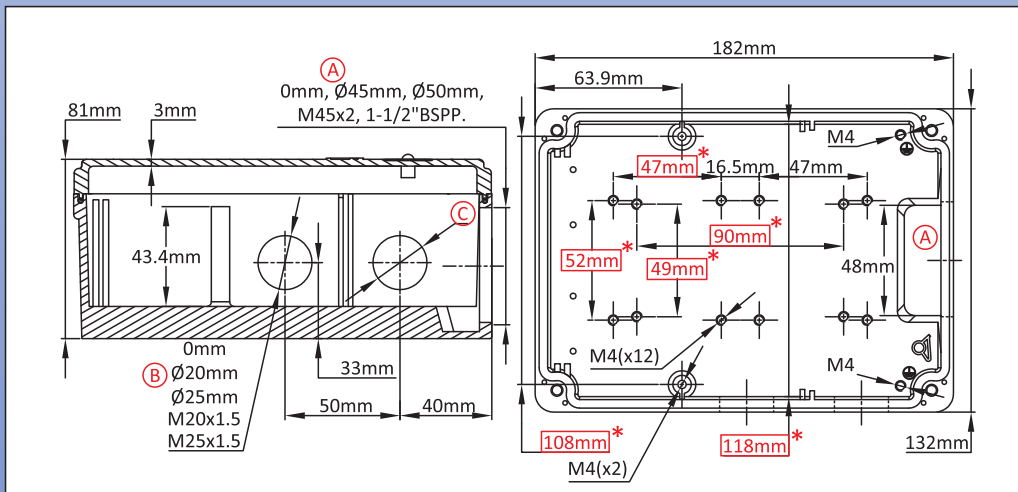


# Enclosure with aluminum body, black or transparent polycarbonate cover, for immersion heater or solid state relays (SSR) controls

Size(mm)	Volume(cm <sup>3</sup> )	Material	Protection grade		Model
<b>81 x 132 x 182</b>	<b>1870</b>	<b>Aluminum + Polycarbonate</b>	<b>IP69K</b>	<b>IK10</b>	<b>Y3H1</b>

- Suitable for**
- Temperature sensor
  - Immersion heater
  - Finned heater
  - Thermostat
  - Level sensor
  - Electronic board



**Links**

Page  
(.pdf)

Drawing 2D  
(.dwg)

Drawing 3D  
(.stp)

### Main references

Ⓐ(mm)	Ⓑ(mm)	Ⓒ(mm)	Not painted	Painted	Ⓐ(mm)	Ⓑ(mm)	Ⓒ(mm)	Not painted	Painted
0	0	0	Y3H1000000000007	Y3H100000000000G	50	M20x1.5	0	Y3H150001T000007	Y3H150001T00000G
0	20	0	Y3H1000012000007	Y3H100001200000G	50	M20x1.5	M20x1.5	Y3H150002T000007	Y3H150002T00000G
0	20	20	Y3H1000022000007	Y3H100002200000G	50	M25x1.5	0	Y3H150001T500007	Y3H150001T50000G
0	25	0	Y3H1000012500007	Y3H100001250000G	50	M25x1.5	M25x1.5	Y3H150002T500007	Y3H150002T50000G
0	25	25	Y3H1000022500007	Y3H100002250000G	M45x2	0	0	Y3H1M45000000007	Y3H1M4500000000G
0	M20x1.5	0	Y3H100001T000007	Y3H100001T00000G	M45x2	20	0	Y3H1M45012000007	Y3H1M4501200000G
0	M20x1.5	M20x1.5	Y3H100002T000007	Y3H100002T00000G	M45x2	20	20	Y3H1M45022000007	Y3H1M4502200000G
0	M25x1.5	0	Y3H100001T500007	Y3H100001T50000G	M45x2	25	0	Y3H1M45012500007	Y3H1M4501250000G
0	M25x1.5	M25x1.5	Y3H100002T500007	Y3H100002T50000G	M45x2	25	25	Y3H1M45022500007	Y3H1M4502250000G
45	0	0	Y3H1450000000007	Y3H145000000000G	M45x2	M20x1.5	0	Y3H1M4501T000007	Y3H1M4501T00000G
45	20	0	Y3H1450012000007	Y3H145001200000G	M45x2	M20x1.5	M20x1.5	Y3H1M4502T000007	Y3H1M4502T00000G
45	20	20	Y3H1450022000007	Y3H145002200000G	M45x2	M25x1.5	0	Y3H1M4501T500007	Y3H1M4501T50000G
45	25	0	Y3H1450012500007	Y3H145001250000G	M45x2	M25x1.5	M25x1.5	Y3H1M4502T500007	Y3H1M4502T50000G
45	25	25	Y3H1450022500007	Y3H145002250000G	1½"BSPP	0	0	Y3H1BA20000000007	Y3H1BA2000000000G
45	M20x1.5	0	Y3H145001T000007	Y3H145001T00000G	1½"BSPP	20	0	Y3H1BA2012000007	Y3H1BA201200000G
45	M20x1.5	M20x1.5	Y3H145002T000007	Y3H145002T00000G	1½"BSPP	20	20	Y3H1BA2022000007	Y3H1BA202200000G
45	M25x1.5	0	Y3H145001T500007	Y3H145001T50000G	1½"BSPP	25	0	Y3H1BA2012500007	Y3H1BA201250000G
45	M25x1.5	M25x1.5	Y3H145002T500007	Y3H145002T50000G	1½"BSPP	25	25	Y3H1BA2022500007	Y3H1BA202250000G
50	0	0	Y3H1500000000007	Y3H150000000000G	1½"BSPP	M20x1.5	0	Y3H1BA201T000007	Y3H1BA201T00000G
50	20	0	Y3H1500012000007	Y3H150001200000G	1½"BSPP	M20x1.5	M20x1.5	Y3H1BA202T000007	Y3H1BA202T00000G
50	20	20	Y3H1500022000007	Y3H150002200000G	1½"BSPP	M25x1.5	0	Y3H1BA201T500007	Y3H1BA201T50000G
50	25	0	Y3H1500012500007	Y3H150001250000G	1½"BSPP	M25x1.5	M25x1.5	Y3H1BA202T500007	Y3H1BA202T50000G
50	25	25	Y3H1500022500007	Y3H150002250000G					

Cable gland not included in these reference, consult us if you want them.

Red dimensions inside rectangular frames are used for accessories assembly.