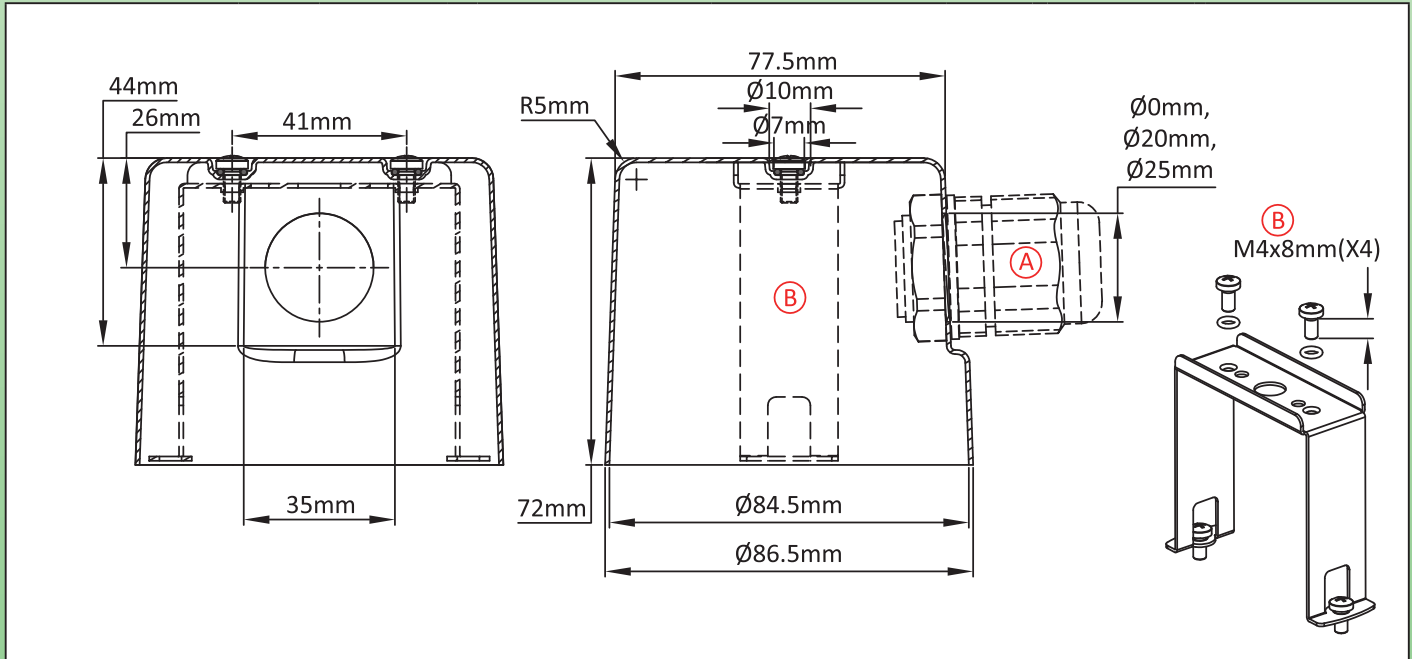


# Round, large diameter, simplified immersion heater enclosure

Size(mm)	Volume(cm <sup>3</sup> )	Material	Protection grade		Model
Dia. 86 x 72	390	stainless steel	IP69K	IK7	<b>Y3K2</b>

## Suitable for

- Temperature sensor
- Immersion heater
- Finned heater
- Thermostat
- Level sensor
- Electronic board



## Main references

(A)(mm)	(B)	304	316
0	✓	Y3K20001000E2008	Y3K20001000E2009
20	✓	Y3K20001120E2008	Y3K20001120E2009
25	✓	Y3K20001125E2008	Y3K20001125E2009
0	✗	Y3K2000100000008	Y3K2000100000009
20	✗	Y3K2000112000008	Y3K2000112000009
25	✗	Y3K2000112500008	Y3K2000112500009

## Links

	Page (.pdf)
	Drawing 2D (.dwg)
	Drawing 3D (.stp)

Cable gland not included in these reference, consult us if you want them.

Red dimensions inside rectangular frames are used for accessories assembly.