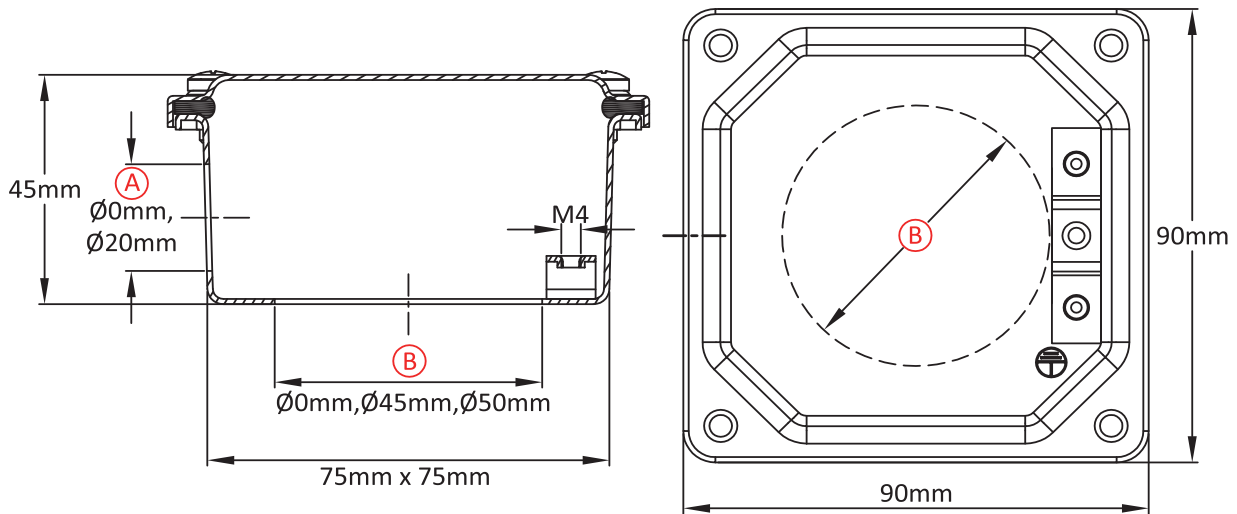


## Miniature enclosure for immersion heater, temperature sensor or level sensor

Size(mm)	Volume(cm <sup>3</sup> )	Material	Protection grade		Model
90 × 90 × 45	206	stainless steel	IP69K	IK7	<b>Y3L3</b>

### Suitable for




- Temperature sensor
- Immersion heater
- Finned heater
- Thermostat
- Level sensor
- Electronic board



### Main references

Ⓐ(mm)	Ⓑ(mm)	304	316
0	0	Y3L3000000000008	Y3L3000000000009
0	45	Y3L3450000000008	Y3L3450000000009
0	50	Y3L3500000000008	Y3L3500000000009
20	0	Y3L3000120000008	Y3L3000120000009
20	45	Y3L3450120000008	Y3L3450120000009
20	50	Y3L3500120000008	Y3L3500120000009

### Links

	Page (.pdf)
	Drawing 2D (.dwg)
	Drawing 3D (.stp)

Cable gland not included in these reference, consult us if you want them.

Red dimensions inside rectangular frames are used for accessories assembly.