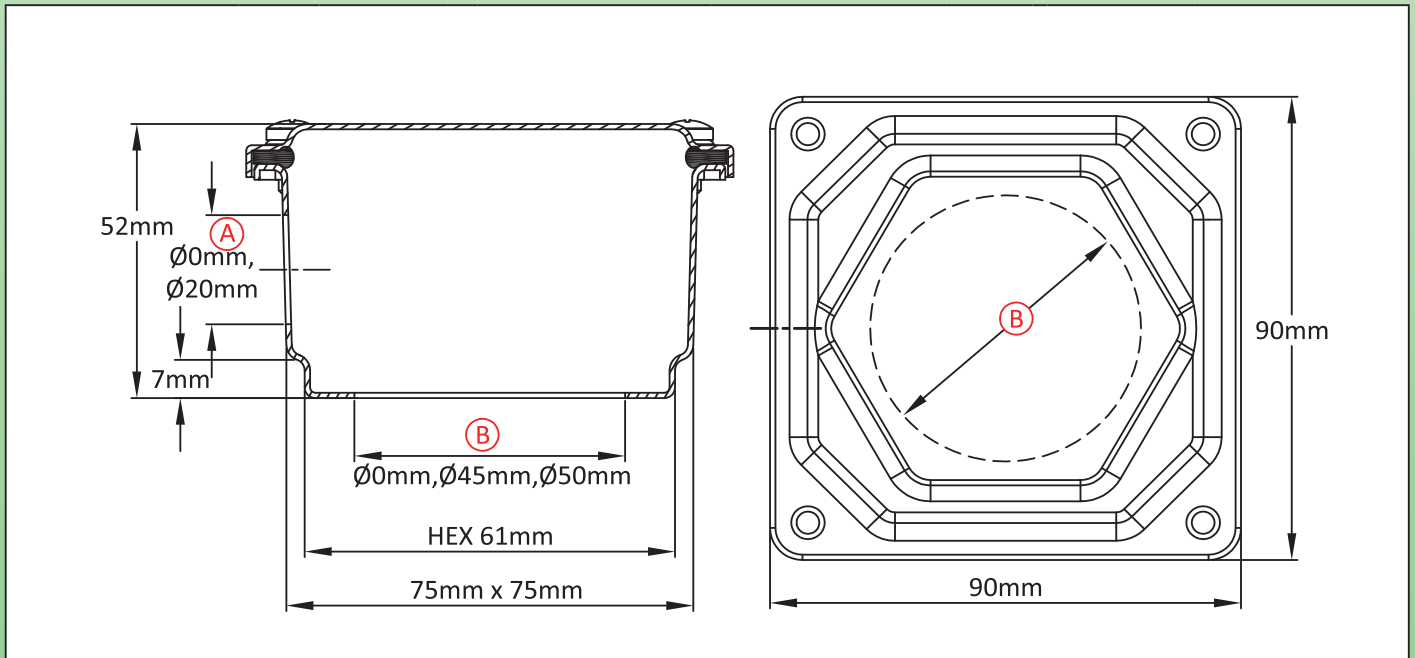


## Enclosure for small storage heater immersion heater

Size(mm)	Volume(cm <sup>3</sup> )	Material	Protection grade		Model
<b>90 × 90 × 52</b>	<b>232</b>	<b>stainless steel</b>	<b>IP69K</b>	<b>IK7</b>	<b>Y3L4</b>




Suitable for
<input type="checkbox"/> Temperature sensor
<input checked="" type="checkbox"/> Immersion heater
<input type="checkbox"/> Finned heater
<input type="checkbox"/> Thermostat
<input type="checkbox"/> Level sensor
<input type="checkbox"/> Electronic board



### Main references

Ⓐ(mm)	Ⓑ(mm)	304	316
0	0	Y3L4000000000008	Y3L4000000000009
0	45	Y3L4450000000008	Y3L4450000000009
0	50	Y3L4500000000008	Y3L4500000000009
20	0	Y3L4000120000008	Y3L4000120000009
20	45	Y3L4450120000008	Y3L4450120000009
20	50	Y3L4500120000008	Y3L4500120000009

### Links

	Page (.pdf)
	Drawing 2D (.dwg)
	Drawing 3D (.stp)

Cable gland not included in these reference, consult us if you want them.

Red dimensions inside rectangular frames are used for accessories assembly.