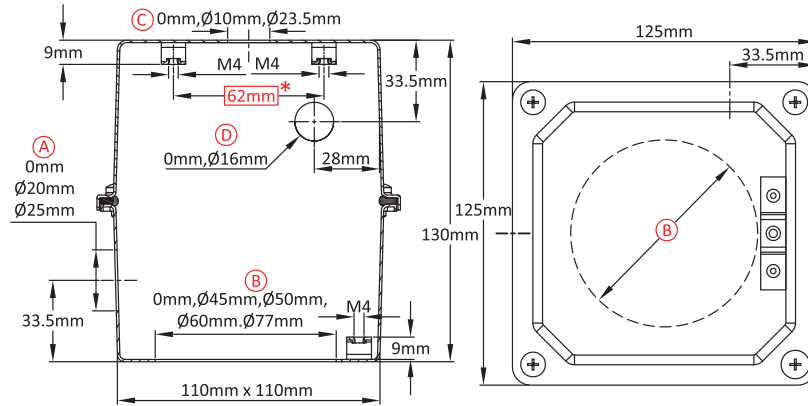


# Grand boîtier pour thermoplongeur ou capteur de température. En acier inoxydable AISI 304 ou AISI 316

Taille(mm)	Volume(cm <sup>3</sup> )	Matière	Degrés de protection		Modèle
<b>125 × 125 × 130</b>	<b>1505</b>	<b>acier inoxydable</b>	<b>IP69K</b>	<b>IK7</b>	<b>Y3S7</b>

### Utilisable pour

- Capteur de température
- Thermoplongeur
- Résistance à ailettes
- Thermostat
- Détecteur de niveau
- Carte électronique



### Liens

Page  
(.pdf)

Plan 2D  
(.dwg)

Plan 3D  
(.stp)

### Références principales

(A)	(B)	(C)	(D)	304	316	(A)	(B)	(C)	(D)	304	316	(A)	(B)	(C)	(D)	304	316
0	0	0	0	Y3S7000000G1008	Y3S7000000G1009	20	0	0	0	Y3S70000120G1008	Y3S70000120G1009	25	0	0	0	Y3S70000125G1008	Y3S70000125G1009
0	0	0	16	Y3S70000116G1008	Y3S70000116G1009	20	0	0	16	Y3S700002C0G1008	Y3S700002C0G1009	25	0	0	16	Y3S700002C5G1008	Y3S700002C5G1009
0	0	10	0	Y3S7000A000G1008	Y3S7000A000G1009	20	0	10	0	Y3S7000A120G1008	Y3S7000A120G1009	25	0	10	0	Y3S7000A125G1008	Y3S7000A125G1009
0	0	10	16	Y3S7000A116G1008	Y3S7000A116G1009	20	0	10	16	Y3S7000A2C0G1008	Y3S7000A2C0G1009	25	0	10	16	Y3S7000A2C5G1008	Y3S7000A2C5G1009
0	0	23.5	0	Y3S7000D000G1008	Y3S7000D000G1009	20	0	23.5	0	Y3S7000D120G1008	Y3S7000D120G1009	25	0	23.5	0	Y3S7000D125G1008	Y3S7000D125G1009
0	0	23.5	16	Y3S7000D116G1008	Y3S7000D116G1009	20	0	23.5	16	Y3S7000D2C0G1008	Y3S7000D2C0G1009	25	0	23.5	16	Y3S7000D2C5G1008	Y3S7000D2C5G1009
0	45	0	0	Y3S7450000G1008	Y3S7450000G1009	20	45	0	0	Y3S74500120G1008	Y3S74500120G1009	25	45	0	0	Y3S74500125G1008	Y3S74500125G1009
0	45	0	16	Y3S74500116G1008	Y3S74500116G1009	20	45	0	16	Y3S745002C0G1008	Y3S745002C0G1009	25	45	0	16	Y3S745002C5G1008	Y3S745002C5G1009
0	45	10	0	Y3S7450A000G1008	Y3S7450A000G1009	20	45	10	0	Y3S7450A120G1008	Y3S7450A120G1009	25	45	10	0	Y3S7450A125G1008	Y3S7450A125G1009
0	45	10	16	Y3S7450A116G1008	Y3S7450A116G1009	20	45	10	16	Y3S7450A2C0G1008	Y3S7450A2C0G1009	25	45	10	16	Y3S7450A2C5G1008	Y3S7450A2C5G1009
0	45	23.5	0	Y3S7450D000G1008	Y3S7450D000G1009	20	45	23.5	0	Y3S7450D120G1008	Y3S7450D120G1009	25	45	23.5	0	Y3S7450D125G1008	Y3S7450D125G1009
0	45	23.5	16	Y3S7450D116G1008	Y3S7450D116G1009	20	45	23.5	16	Y3S7450D2C0G1008	Y3S7450D2C0G1009	25	45	23.5	16	Y3S7450D2C5G1008	Y3S7450D2C5G1009
0	50	0	0	Y3S7500000G1008	Y3S7500000G1009	20	50	0	0	Y3S75000120G1008	Y3S75000120G1009	25	50	0	0	Y3S75000125G1008	Y3S75000125G1009
0	50	0	16	Y3S75000116G1008	Y3S75000116G1009	20	50	0	16	Y3S750002C0G1008	Y3S750002C0G1009	25	50	0	16	Y3S750002C5G1008	Y3S750002C5G1009
0	50	10	0	Y3S7500A000G1008	Y3S7500A000G1009	20	50	10	0	Y3S7500A120G1008	Y3S7500A120G1009	25	50	10	0	Y3S7500A125G1008	Y3S7500A125G1009
0	50	10	16	Y3S7500A116G1008	Y3S7500A116G1009	20	50	10	16	Y3S7500A2C0G1008	Y3S7500A2C0G1009	25	50	10	16	Y3S7500A2C5G1008	Y3S7500A2C5G1009
0	50	23.5	0	Y3S7500D000G1008	Y3S7500D000G1009	20	50	23.5	0	Y3S7500D120G1008	Y3S7500D120G1009	25	50	23.5	0	Y3S7500D125G1008	Y3S7500D125G1009
0	50	23.5	16	Y3S7500D116G1008	Y3S7500D116G1009	20	50	23.5	16	Y3S7500D2C0G1008	Y3S7500D2C0G1009	25	50	23.5	16	Y3S7500D2C5G1008	Y3S7500D2C5G1009
0	60	0	0	Y3S7600000G1008	Y3S7600000G1009	20	60	0	0	Y3S76000120G1008	Y3S76000120G1009	25	60	0	0	Y3S76000125G1008	Y3S76000125G1009
0	60	0	16	Y3S76000116G1008	Y3S76000116G1009	20	60	0	16	Y3S760002C0G1008	Y3S760002C0G1009	25	60	0	16	Y3S760002C5G1008	Y3S760002C5G1009
0	60	10	0	Y3S7600A000G1008	Y3S7600A000G1009	20	60	10	0	Y3S7600A120G1008	Y3S7600A120G1009	25	60	10	0	Y3S7600A125G1008	Y3S7600A125G1009
0	60	10	16	Y3S7600A116G1008	Y3S7600A116G1009	20	60	10	16	Y3S7600A2C0G1008	Y3S7600A2C0G1009	25	60	10	16	Y3S7600A2C5G1008	Y3S7600A2C5G1009
0	60	23.5	0	Y3S7600D000G1008	Y3S7600D000G1009	20	60	23.5	0	Y3S7600D120G1008	Y3S7600D120G1009	25	60	23.5	0	Y3S7600D125G1008	Y3S7600D125G1009
0	60	23.5	16	Y3S7600D116G1008	Y3S7600D116G1009	20	60	23.5	16	Y3S7600D2C0G1008	Y3S7600D2C0G1009	25	60	23.5	16	Y3S7600D2C5G1008	Y3S7600D2C5G1009
0	77	0	0	Y3S7700000G1008	Y3S7700000G1009	20	77	0	0	Y3S7700120G1008	Y3S7700120G1009	25	77	0	0	Y3S7700125G1008	Y3S7700125G1009
0	77	0	16	Y3S77000116G1008	Y3S77000116G1009	20	77	0	16	Y3S77002C0G1008	Y3S77002C0G1009	25	77	0	16	Y3S77002C5G1008	Y3S77002C5G1009
0	77	10	0	Y3S770A000G1008	Y3S770A000G1009	20	77	10	0	Y3S770A120G1008	Y3S770A120G1009	25	77	10	0	Y3S770A125G1008	Y3S770A125G1009
0	77	10	16	Y3S770A116G1008	Y3S770A116G1009	20	77	10	16	Y3S770A2C0G1008	Y3S770A2C0G1009	25	77	10	16	Y3S770A2C5G1008	Y3S770A2C5G1009
0	77	23.5	0	Y3S770D000G1008	Y3S770D000G1009	20	77	23.5	0	Y3S770D120G1008	Y3S770D120G1009	25	77	23.5	0	Y3S770D125G1008	Y3S770D125G1009
0	77	23.5	16	Y3S770D116G1008	Y3S770D116G1009	20	77	23.5	16	Y3S770D2C0G1008	Y3S770D2C0G1009	25	77	23.5	16	Y3S770D2C5G1008	Y3S770D2C5G1009

Presse étoupe non inclus dans les références ci-dessus. Nous consulter si vous les souhaitez.

Les dimensions encadrées en rouge sont celles prévues pour le montage des accessoires.