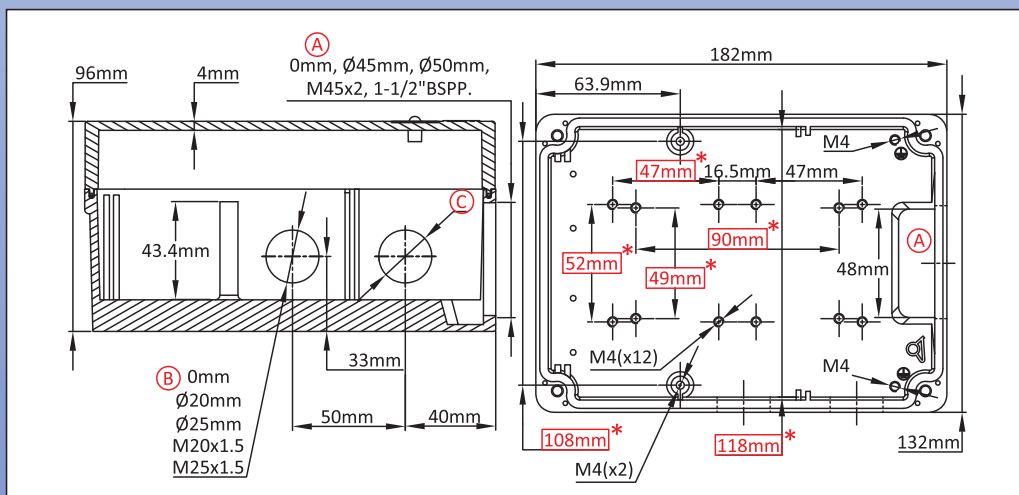


Boîtier tout aluminium pour thermoplongeur ou instrumentation comportant des relais statiques

Taille(mm)	Volume(cm ³)	Matière	Degrés de protection		Modèle
96 x 132 x 182	2050	Aluminium + Polycarbonate	IP69K	IK10	Y3H3

Utilisable pour

- Capteur de température
- Thermoplongeur
- Résistance à ailettes
- Thermostat
- Détecteur de niveau
- Carte électronique



Liens



Page
(.pdf)



Plan 2D
(.dwg)



Plan 3D
(.stp)

Références principales

(A)(mm)	(B)(mm)	(C)(mm)	Brut	Peint	(A)(mm)	(B)(mm)	(C)(mm)	Brut	Peint
0	0	0	Y3H3000000000007	Y3H300000000000G	50	M20x1.5	0	Y3H350001T000007	Y3H350001T00000G
0	20	0	Y3H3000012000007	Y3H300001200000G	50	M20x1.5	M20x1.5	Y3H350002T000007	Y3H350002T00000G
0	20	20	Y3H3000022000007	Y3H300002200000G	50	M25x1.5	0	Y3H350001T500007	Y3H350001T50000G
0	25	0	Y3H3000012500007	Y3H300001250000G	50	M25x1.5	M25x1.5	Y3H350002T500007	Y3H350002T50000G
0	25	25	Y3H3000022500007	Y3H300002250000G	M45x2	0	0	Y3H3M45000000007	Y3H3M4500000000G
0	M20x1.5	0	Y3H300001T000007	Y3H300001T00000G	M45x2	20	0	Y3H3M45012000007	Y3H3M4501200000G
0	M20x1.5	M20x1.5	Y3H300002T000007	Y3H300002T00000G	M45x2	20	20	Y3H3M45022000007	Y3H3M4502200000G
0	M25x1.5	0	Y3H300001T500007	Y3H300001T50000G	M45x2	25	0	Y3H3M45012500007	Y3H3M4501250000G
0	M25x1.5	M25x1.5	Y3H300002T500007	Y3H300002T50000G	M45x2	25	25	Y3H3M45022500007	Y3H3M4502250000G
45	0	0	Y3H3450000000007	Y3H345000000000G	M45x2	M20x1.5	0	Y3H3M4501T000007	Y3H3M4501T00000G
45	20	0	Y3H3450012000007	Y3H345001200000G	M45x2	M20x1.5	M20x1.5	Y3H3M4502T000007	Y3H3M4502T00000G
45	20	20	Y3H3450022000007	Y3H345002200000G	M45x2	M25x1.5	0	Y3H3M4501T500007	Y3H3M4501T50000G
45	25	0	Y3H3450012500007	Y3H345001250000G	M45x2	M25x1.5	M25x1.5	Y3H3M4502T500007	Y3H3M4502T50000G
45	25	25	Y3H3450022500007	Y3H345002250000G	1/2"BSPP	0	0	Y3H3BA20000000007	Y3H3BA2000000000G
45	M20x1.5	0	Y3H345001T000007	Y3H345001T00000G	1/2"BSPP	20	0	Y3H3BA2012000007	Y3H3BA201200000G
45	M20x1.5	M20x1.5	Y3H345002T000007	Y3H345002T00000G	1/2"BSPP	20	20	Y3H3BA2022000007	Y3H3BA202200000G
45	M25x1.5	0	Y3H345001T500007	Y3H345001T50000G	1/2"BSPP	25	0	Y3H3BA2012500007	Y3H3BA201250000G
45	M25x1.5	M25x1.5	Y3H345002T500007	Y3H345002T50000G	1/2"BSPP	25	25	Y3H3BA2022500007	Y3H3BA202250000G
50	0	0	Y3H3500000000007	Y3H350000000000G	1/2"BSPP	M20x1.5	0	Y3H3BA201T000007	Y3H3BA201T00000G
50	20	0	Y3H3500012000007	Y3H350001200000G	1/2"BSPP	M20x1.5	M20x1.5	Y3H3BA202T000007	Y3H3BA202T00000G
50	20	20	Y3H3500022000007	Y3H350002200000G	1/2"BSPP	M25x1.5	0	Y3H3BA201T500007	Y3H3BA201T50000G
50	25	0	Y3H3500012500007	Y3H350001250000G	1/2"BSPP	M25x1.5	M25x1.5	Y3H3BA202T500007	Y3H3BA202T50000G
50	25	25	Y3H3500022500007	Y3H350002250000G					

Presse étoupe non inclus dans les références ci-dessus. Nous consulter si vous les souhaitez.
 Les dimensions encadrées en rouge sont celles prévues pour le montage des accessoires.