

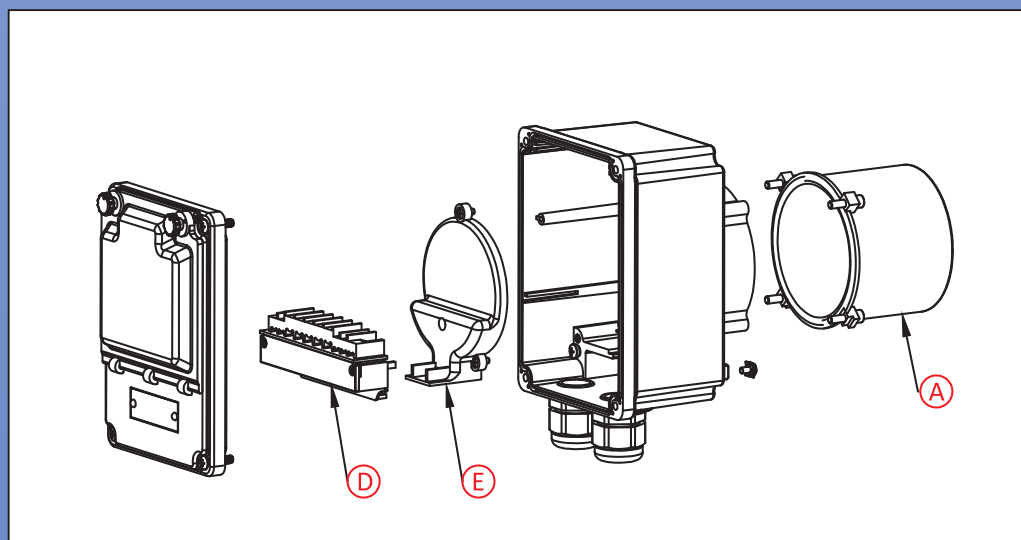
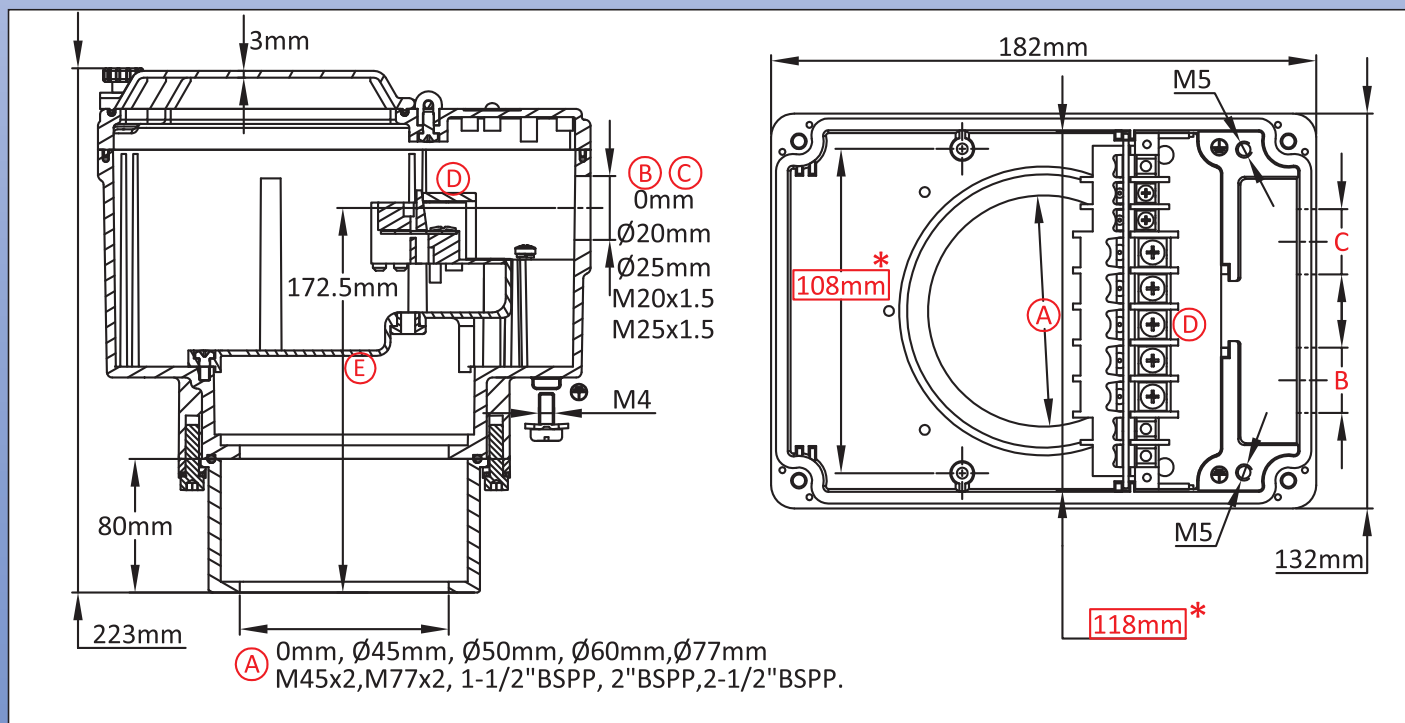
Boîtier mixte aluminium et PA66, avec hublot polycarbonate pour thermoplongeur avec raccord fortement déporté de 120mm

En raison de l'évolution technique constante de nos produits, les plans, dessins et caractéristiques repris dans les pages techniques sont communiqués sans engagement et peuvent être modifiés sans préavis

Taille(mm)	Volume(cm ³)	Matière	Degrés de protection		Modèle
182 x 132 x 225	3206	Aluminium + PA66 + Polycarbonate	IP69K	IK10	Y3J2 (P1)

Utilisable pour

- Capteur de température
- Thermoplongeur
- Résistance à ailettes
- Thermostat
- Détecteur de niveau
- Carte électronique



Liens



Page (.pdf)



Plan 2D (.dwg)



Plan 3D (.stp)

Presse étoupe non inclus dans les références ci-dessus. Nous consulter si vous les souhaitez.
 Les dimensions encadrées en rouge sont celles prévues pour le montage des accessoires.

Références principales

A(mm)	B(mm)	C(mm)	Brut	Peint	A(mm)	B(mm)	C(mm)	Brut	Peint
0	0	0	Y3J2000000J1007	Y3J2000000J100G	M45×2	0	0	Y3J2M450000J1007	Y3J2M450000J100G
0	20	0	Y3J20000120J1007	Y3J20000120J100G	M45×2	20	0	Y3J2M450120J1007	Y3J2M450120J100G
0	20	20	Y3J20000220J1007	Y3J20000220J100G	M45×2	20	20	Y3J2M450220J1007	Y3J2M450220J100G
0	25	0	Y3J20000125J1007	Y3J20000125J100G	M45×2	25	0	Y3J2M450125J1007	Y3J2M450125J100G
0	25	25	Y3J20000225J1007	Y3J20000225J100G	M45×2	25	25	Y3J2M450225J1007	Y3J2M450225J100G
0	M20×1.5	0	Y3J200001T0J1007	Y3J200001T0J100G	M45×2	M20×1.5	0	Y3J2M4501T0J1007	Y3J2M4501T0J100G
0	M20×1.5	M20×1.5	Y3J200002T0J1007	Y3J200002T0J100G	M45×2	M20×1.5	M20×1.5	Y3J2M4502T0J1007	Y3J2M4502T0J100G
0	M25×1.5	0	Y3J200001T5J1007	Y3J200001T5J100G	M45×2	M25×1.5	0	Y3J2M4501T5J1007	Y3J2M4501T5J100G
0	M25×1.5	M25×1.5	Y3J200002T5J1007	Y3J200002T5J100G	M45×2	M25×1.5	M25×1.5	Y3J2M4502T5J1007	Y3J2M4502T5J100G
45	0	0	Y3J2450000J1007	Y3J2450000J100G	M77×2	0	0	Y3J2M770000J1007	Y3J2M770000J100G
45	20	0	Y3J24500120J1007	Y3J24500120J100G	M77×2	20	0	Y3J2M770120J1007	Y3J2M770120J100G
45	20	20	Y3J24500220J1007	Y3J24500220J100G	M77×2	20	20	Y3J2M770220J1007	Y3J2M770220J100G
45	25	0	Y3J24500125J1007	Y3J24500125J100G	M77×2	25	0	Y3J2M770125J1007	Y3J2M770125J100G
45	25	25	Y3J24500225J1007	Y3J24500225J100G	M77×2	25	25	Y3J2M770225J1007	Y3J2M770225J100G
45	M20×1.5	0	Y3J245001T0J1007	Y3J245001T0J100G	M77×2	M20×1.5	0	Y3J2M7701T0J1007	Y3J2M7701T0J100G
45	M20×1.5	M20×1.5	Y3J245002T0J1007	Y3J245002T0J100G	M77×2	M20×1.5	M20×1.5	Y3J2M7702T0J1007	Y3J2M7702T0J100G
45	M25×1.5	0	Y3J245001T5J1007	Y3J245001T5J100G	M77×2	M25×1.5	0	Y3J2M7701T5J1007	Y3J2M7701T5J100G
45	M25×1.5	M25×1.5	Y3J245002T5J1007	Y3J245002T5J100G	M77×2	M25×1.5	M25×1.5	Y3J2M7702T5J1007	Y3J2M7702T5J100G
50	0	0	Y3J2500000J1007	Y3J2500000J100G	1½"BSPP	0	0	Y3J2BA20000J1007	Y3J2BA20000J100G
50	20	0	Y3J25000120J1007	Y3J25000120J100G	1½"BSPP	20	0	Y3J2BA20120J1007	Y3J2BA20120J100G
50	20	20	Y3J25000220J1007	Y3J25000220J100G	1½"BSPP	20	20	Y3J2BA20220J1007	Y3J2BA20220J100G
50	25	0	Y3J25000125J1007	Y3J25000125J100G	1½"BSPP	25	0	Y3J2BA20125J1007	Y3J2BA20125J100G
50	25	25	Y3J25000225J1007	Y3J25000225J100G	1½"BSPP	25	25	Y3J2BA20225J1007	Y3J2BA20225J100G
50	M20×1.5	0	Y3J250001T0J1007	Y3J250001T0J100G	1½"BSPP	M20×1.5	0	Y3J2BA201T0J1007	Y3J2BA201T0J100G
50	M20×1.5	M20×1.5	Y3J250002T0J1007	Y3J250002T0J100G	1½"BSPP	M20×1.5	M20×1.5	Y3J2BA202T0J1007	Y3J2BA202T0J100G
50	M25×1.5	0	Y3J250001T5J1007	Y3J250001T5J100G	1½"BSPP	M25×1.5	0	Y3J2BA201T5J1007	Y3J2BA201T5J100G
50	M25×1.5	M25×1.5	Y3J250002T5J1007	Y3J250002T5J100G	1½"BSPP	M25×1.5	M25×1.5	Y3J2BA202T5J1007	Y3J2BA202T5J100G
60	0	0	Y3J2600000J1007	Y3J2600000J100G	2"BSPP	0	0	Y3J2BB20000J1007	Y3J2BB20000J100G
60	20	0	Y3J26000120J1007	Y3J26000120J100G	2"BSPP	20	0	Y3J2BB20120J1007	Y3J2BB20120J100G
60	20	20	Y3J26000220J1007	Y3J26000220J100G	2"BSPP	20	20	Y3J2BB20220J1007	Y3J2BB20220J100G
60	25	0	Y3J26000125J1007	Y3J26000125J100G	2"BSPP	25	0	Y3J2BB20125J1007	Y3J2BB20125J100G
60	25	25	Y3J26000225J1007	Y3J26000225J100G	2"BSPP	25	25	Y3J2BB20225J1007	Y3J2BB20225J100G
60	M20×1.5	0	Y3J260001T0J1007	Y3J260001T0J100G	2"BSPP	M20×1.5	0	Y3J2BB201T0J1007	Y3J2BB201T0J100G
60	M20×1.5	M20×1.5	Y3J260002T0J1007	Y3J260002T0J100G	2"BSPP	M20×1.5	M20×1.5	Y3J2BB202T0J1007	Y3J2BB202T0J100G
60	M25×1.5	0	Y3J260001T5J1007	Y3J260001T5J100G	2"BSPP	M25×1.5	0	Y3J2BB201T5J1007	Y3J2BB201T5J100G
60	M25×1.5	M25×1.5	Y3J260002T5J1007	Y3J260002T5J100G	2"BSPP	M25×1.5	M25×1.5	Y3J2BB202T5J1007	Y3J2BB202T5J100G
77	0	0	Y3J2770000J1007	Y3J2770000J100G	2½"BSPP	0	0	Y3J2BC20000J1007	Y3J2BC20000J100G
77	20	0	Y3J27700120J1007	Y3J27700120J100G	2½"BSPP	20	0	Y3J2BC20120J1007	Y3J2BC20120J100G
77	20	20	Y3J27700220J1007	Y3J27700220J100G	2½"BSPP	20	20	Y3J2BC20220J1007	Y3J2BC20220J100G
77	25	0	Y3J27700125J1007	Y3J27700125J100G	2½"BSPP	25	0	Y3J2BC20125J1007	Y3J2BC20125J100G
77	25	25	Y3J27700225J1007	Y3J27700225J100G	2½"BSPP	25	25	Y3J2BC20225J1007	Y3J2BC20225J100G
77	M20×1.5	0	Y3J277001T0J1007	Y3J277001T0J100G	2½"BSPP	M20×1.5	0	Y3J2BC201T0J1007	Y3J2BC201T0J100G
77	M20×1.5	M20×1.5	Y3J277002T0J1007	Y3J277002T0J100G	2½"BSPP	M20×1.5	M20×1.5	Y3J2BC202T0J1007	Y3J2BC202T0J100G
77	M25×1.5	0	Y3J277001T5J1007	Y3J277001T5J100G	2½"BSPP	M25×1.5	0	Y3J2BC201T5J1007	Y3J2BC201T5J100G
77	M25×1.5	M25×1.5	Y3J277002T5J1007	Y3J277002T5J100G	2½"BSPP	M25×1.5	M25×1.5	Y3J2BC202T5J1007	Y3J2BC202T5J100G